

Distribution Agreement

In presenting this thesis or dissertation as a partial fulfillment of the requirements for an advanced degree from Emory University, I hereby grant to Emory University and its agents the non-exclusive license to archive, make accessible, and display my thesis or dissertation in whole or in part in all forms of media, now or hereafter known, including display on the world wide web. I understand that I may select some access restrictions as part of the online submission of this thesis or dissertation. I retain all ownership rights to the copyright of the thesis or dissertation. I also retain the right to use in future works (such as articles or books) all or part of this thesis or dissertation.

Signature:

Alexandra Machen

Date

Factors Associated with Illicit Drug Use among Male Prisoners Before, During and
Following Incarceration in the Mexico City Prison System

By

Alexandra Machen
MPH

Epidemiology

A.D. McNaghten, PhD, MHSA
Committee Chair

Factors Associated with Illicit Drug Use among Male Prisoners Before, During and
Following Incarceration in the Mexico City Prison System

By

Alexandra Machen

Bachelor of Science in Chemical Engineering
University of Kansas
2011

Thesis Committee Chair: A.D. McNaghten, PhD, MHSA

An abstract of
A thesis submitted to the Faculty of the
Rollins School of Public Health of Emory University
in partial fulfillment of the requirements for the degree of
MPH
in Epidemiology
2013

Abstract

Factors Associated with Illicit Drug Use among Male Prisoners Before, During and Following Incarceration in the Mexico City Prison System

By Alexandra Machen

Background: In Mexico, illegal drug use is a public health problem. Some of the principal risk factors associated with drug use include high rates of unemployment, low educational levels, dysfunctional families, and psychological and psychiatric problems. Prison populations have higher rates of illegal drug use than the general population.

Methods: In 2009, a random sample of 3,500 male inmates 18 years or older was given the self-administered questionnaire. 2,279 prisoners completed questions concerning drug use and potential risk factors associated with drug use included age, education, risk of depression, intelligence, employment prior to incarceration, and children. Stepwise logistic regression analyses were conducted to create three separate models to assess the changing risk factors associated with drug use before arrest, during incarceration, and following incarceration.

Results: Prior to arrest, prisoners with a risk of severe depression (aOR=1.45, 95% CI=1.07-1.96, p=0.0164) compared with moderate depression, and below average intelligence (aOR=1.59, 95% CI=1.02-2.48, p=0.0400) compared with definitely above average intelligence were significantly more likely to report drug use. Prisoners who were previously employed (aOR 0.45, 95% CI=0.25-0.82, p=0.0096) compared to not employed, had children (aOR=0.50, 95% CI=0.35-0.71, p=0.0001) compared with no children, and completed secondary school (aOR=0.56, 95% CI=0.38-0.84, p=0.0053) compared with preparatory school or more were less likely to use drugs prior to arrest. During incarceration, prisoners with a risk of severe depression (aOR=1.43, 95% CI=1.18-1.73, p=0.0003) compared with moderate depression were significantly more likely to report drug use, and prisoners age 35 to 44 (aOR= 0.72, 95% CI=0.560-0.928, p=0.0111) compared to prisoners age 25 to 34, were less likely to use drugs. Following incarceration, prisoners with a risk of severe depression (aOR=1.59, 95% CI=1.15-2.19, p=0.0048) compared with moderate depression were significantly more likely to report high probability of drug use, while prisoners that had children (aOR= 0.634, 95% CI=0.460-0.873, p=0.0053) compared to prisoners that did not have children, were less likely to report high probability.

Conclusions: Information on drug use and risk factors associated with drug use among male prisoners in Mexico City's prisons can be used to tailor interventions to prevent and reduce drug use during and following incarceration.

Factors Associated with Illicit Drug Use among Male Prisoners Before, During and
Following Incarceration in the Mexico City Prison System

By

Alexandra Machen

Bachelor of Science in Chemical Engineering
University of Kansas
2011

Thesis Committee Chair: A.D. McNaghten, PhD, MHSA

A thesis submitted to the Faculty of the
Rollins School of Public Health of Emory University
in partial fulfillment of the requirements for the degree of
MPH
in Epidemiology
2013

ACKNOWLEDGEMENTS

Robert Stephenson, PhD MSc
Ariel Laurin Albertie, MPHc

TABLE OF CONTENTS

Background	1
Methods.....	5
Results.....	8
Discussion.....	11
Strengths and Weaknesses.....	12
Future Directions.....	12
References.....	14
Tables.....	18
Table 1.....	18
Table 2.....	20
Table 3.....	21
Appendices.....	22
Questionnaire.....	23

BACKGROUND

In Mexico, illegal drug use is a public health problem. Mexico is one of the main producers of illicit drugs in the world. More recently, it has also become a leading consumer (1). Among the general population, illegal drug use increased in Mexico from 4.6% in 2002 to 5.2% in 2008. Marijuana consumption was 4.2%, and cocaine consumption was 2.4% in 2008 (2). Prison populations have higher rates of illegal drug consumption than the general population (1).

Prisons in Mexico

The country of Mexico has one of the largest prison populations in Latin America. In June of 2007, there were more than 216,000 prisoners in Mexico. The imprisonment rate in June of 2007 was 182 per 100,000 people (3). This rate is comparable with other imprisonment rates in Latin America at the time. In 2007, 95% percent of prisoners in Mexico were men; 50% were under the age of 30 (3).

Twenty five percent of the total prisoners in Mexico are concentrated in Mexico City and the adjoining State of Mexico. The prevalence of drug and alcohol consumption in prison in these geographical areas is above 40% according to penal authorities (4).

Overpopulation is a problem for the prison system in Mexico City. Between 1996 and 2002, the inmate population went from 7,500 to nearly 23,000. This huge growth was tightly linked to changes in legislation, and not seen as an actual increase in crime rates (5). Between 2002 and 2007, the prison population of Mexico increased by 55% nationally and 41% in Mexico City (6). The prison system of Mexico is housing twice as many prisoners as it is built for. Of the 8 facilities in Mexico City, 7 are over-populated.

Overcrowding of this scale increases health risks. It leads to a lower quality of life standard including a decrease in personal safety, opportunities for physical activity, and food-quality (5). These conditions also increase the risk of chronic disease, mental disorders, and outbreaks of infectious diseases.

Diseases Associated with Drug Use

Illicit drug users are at an increased risk of acquiring infectious diseases (7, 8) and chronic medical conditions (9). Users of illegal drugs, such as heroin or cocaine, have a greater risk of contracting infectious diseases such as HIV/AIDS, other sexually transmitted infections (STIs), hepatitis, and tuberculosis (7, 8, 10). Risk of infection may increase for a prison population if the internal conditions of the prison increases the availability of illicit drugs (10). Hernandez *et al.* (11) reported 85% of HIV-infected prisoners were already infected when they arrived to prison. That means that 15% of HIV-infected prisoners were infected during incarceration. The same study reported that 90% of prisoners were injection drug users. Prison populations are often seen as vectors of infectious disease among themselves and to the wider community (7, 8).

Illicit drugs often generate dependence, which over time can lead to chronic medical conditions. These conditions include neurological, cardiovascular, respiratory, hepatic, and metabolic complications (9). Prisoners with such illnesses are less likely to become productive members of society upon release from prison (9) and pose a challenge to health care systems with limited resources (1).

Depression and Drug Use

The prevalence of depression is usually higher in prison populations than in the general population (12). Major depressive disorder (MDD) is the most common severe

mental illness reported in prison settings (13-15). A recent survey in the United States found that the national 12 month prevalence of MDD was three times higher in state prisons than the national average (15).

Drug use has been associated with depression in prison populations (14, 15) and the general populations (14). In community populations, depression is associated with premature drop-out from addiction treatment (16). In correctional populations, depression is a strong predictor of dropout from correctional substance use programs (17-20) as well as poorer addiction treatment outcomes (12). Depression has also been shown to increase the risk of multiple incarcerations. A large study of US prison inmates conducted by Baillargeon *et al.* (21) found prisoners with MDD to be at significantly increased risk of multiple incarcerations (controlling for length of current sentence and criminal offense classification). Psychiatric distress, a state of emotional suffering characterized by symptoms of depression and anxiety (22), has also been shown to predict future parole violations (23).

Social, Behavioral, and Psychological Risk Factors

In general, prison populations hold disproportionate numbers of behaviorally high-risk individuals (7, 8). Prisons combine several risk factors involved in drug consumption. Some of the principal risk factors associated with drug consumption include high rates of unemployment, low educational levels, dysfunctional families, and psychological and psychiatric problems (24-26). Employment, a higher education level, and having children, which can signal appropriate entry into society, are often associated with lower a prevalence of drug use among prisoners (1).

Employment and Drug Use

In 1996, Bryant *et al.* (27) described the negative impact drug use had on the likelihood of a person being employed; concluding that drug consumption and unemployment were cyclically linked. Illegal drug use increased the possibility of unemployment and decreased the likelihood of finding and keeping a job, while unemployment increased the possibility of relapse to drug using behaviors. (1, 27, 28).

Education, Intelligence and Drug Use

Socioeconomically disadvantaged populations are more vulnerable in relation to drug use. Higher intellectual capacity and higher education levels have been associated with a decrease in the prevalence of drug use among prisoners in several US studies (20). Higher education levels are also associated with completion of correction-based treatment for drug abuse among prisoners (20).

Objectives

Studies to assess prison health in Mexico are needed. The primary objective of this thesis is to determine risk factors associated with drug use prior to, during, and following incarceration among adult male prisoners in Mexico. Younger age, lower intellectual capacity, lower education levels, greater risk of depression, unemployment, and lack of children are hypothesized to increase risk of drug use before, during, and following incarceration. The results from this study have the potential to improve public health screening, monitoring, and control of this vulnerable population. These findings can serve as a baseline for designing interventions targeted to sub-groups of prisoners to prevent and to reduce drug use during and following incarceration.

METHODS

Approximately 36,000-38,000 men are incarcerated in eight of Mexico City's correctional facilities. In 2009, a random sample of 3,500 inmates was given the self-administered questionnaire "Get Tested: Your health is the challenge." Approval for data collection was granted by the Instituto Nacional de Salud Publica (INSP), the National Institute of Public Health of Mexico whose purpose includes strengthening health services by conducting health surveys, providing support for epidemiological monitoring of infectious diseases and other health problems (29).

Questionnaire

The questionnaire was developed by the INSP Center for Evaluation Research and Surveys (CIEE) and administered via computer module with help from trained field assistants. Field work and data collection were conducted over a seven month period in 2009. The questionnaire asked questions regarding environmental, socioeconomic, and behavioral factors before and during time in prison. The questionnaire was divided into five sections covering the following topics: demographics and socio-economic background, experience of domestic violence, HIV/STI risk behaviors (within and outside prison), diet and physical activity, mental health and attitudinal correlates of health-risk. Male inmates 18 years or older incarcerated in one of the following facilities in Mexico City were included in the study: Centro de Ejecución de Sanciones Penales Varonil Oriente, Centro de Ejecución de Sanciones Penales Varonil, Centro Varonil de Rehabilitación Psicosocial, Centro de Readaptación Social Varonil Santa Martha Acatitla, Penitenciaría del Distrito Federal, Reclusorio Preventivo Varonil Sur, Reclusorio Preventivo Varonil Oriente, and Reclusorio Preventivo Varonil Norte. The

only exclusion criterion for participation was the inability to understand written and spoken Spanish.

Analysis

Descriptive and exploratory analyses were conducted to investigate risk factors associated with illicit drug use before arrest, during incarceration and following incarceration. Drug use before arrest included self-reported use of marijuana, inhalants, crack, cocaine, and pills six months prior to current sentence. Drug use during incarceration included use of marijuana, inhalants, crack, cocaine, and pills within the last month of current sentence. Drug use following incarceration was based on prisoners' perceived likelihood of drug use three months after current sentence. A probability of drug use of 50% or higher was categorized as high probability; a probability greater than 0% and less than 50% was categorized as medium; and probability of 0% was categorized as low.

In each drug category, there were a number of prisoners who chose not respond to the survey. For analysis, drug use before arrest and during incarceration was defined as use of any of the following: marijuana, inhalants, crack or cocaine, or pills during the time interval in question. If a prisoner reported use of any drug, they were placed in the drug consumption category. Drug use following incarceration was defined as a high probability of drug use following incarceration.

Potential risk factors associated with drug use included age, education, risk of depression, intelligence, employment prior to incarceration, and whether or not they had children. Depression was assessed using the Beck's Depression Balance (30). Each prisoner's risk of depression was categorized as minimal, mild, moderate, or severe.

General intelligence was determined using the Raven Matrices Test (31). A score at or below the 25th percentile was categorized as definitely below average intellectual capacity. The 50th percentile marked average intellectual capacity. A score at or above the 75th percentile was categorized as definitely above average intellectual capacity. Age, education level, employment prior to incarceration, and children were self-reported. Employment was defined as having a job during the month prior to arrest. Education was categorized as primary school or less, secondary school, and preparatory school or more.

Analyses were conducted using SAS version 9.3 ® (SAS Institute, Cary, NC). Potential risk factors were stratified by drug use at each time point. Associations were determined using unadjusted Chi-square tests for all comparison where the expected value was greater than five. If the expected value was less than five, Fisher's exact test was performed. Statistical significance was defined as $< 5\%$. Variables found to be significant in the bivariate analyses were included in the first phase of logistic regression modeling. Variables that were significant in the bivariate analysis, but not in the multivariate modeling were dropped from the final models. These stepwise procedures were conducted to build final logistic regression models which assessed the different risk factors associated with drug use six months prior to arrest for current sentence, drug use in the last month of incarceration, and perceived likelihood of drug use during the first three months following incarceration. Adjusted odds ratios, with 95% confidence intervals, were calculated to determine which factors were significantly associated with drug use. Interaction terms were not assessed. Associations between intelligence and drug use following incarceration were not assessed due to missing data.

RESULTS

Of the 3,500 prisoners surveyed, 2,297 were included in the analysis of illicit drug use. Over half (56.2%) were age 25-34 (Table 1). Almost half reported completing secondary school (47.7%), and one quarter reported completing preparatory school or more (25.1%). None of the prisoners were categorized at minimal or mild risk of depression, 55.3% were categorized as at moderate risk of depression, and 44.7% were categorized as at severe risk of depression. Of the 1,046 prisoners that completed the Raven Matrices Test for intelligence, 11.9% were categorized as definitely below average intelligence capacity, and 17.4% were categorized as definitely above average intelligence capacity. The majority of prisoners (86.9%) reported being employed one month prior to arrest, and many reported that they had children (63.1%).

Table 1 also includes prisoners' responses to questions regarding the use of marijuana, inhalants, crack or cocaine, and pills six months prior to arrest, in the last month during their current incarceration, and three months following incarceration. Marijuana was the most frequently reported substance used prior to arrest (51.4%) and during incarceration (64.8%). Crack or cocaine was the second most frequently reported (47.0%, 36.1%). Of the 1,097 prisoners that completed questions regarding future drug use, few were categorized as having a high probability of using drugs in the first three months after release from prison (16.6%).

Results of the bivariate analysis stratified by drug use at each time point can be found in Table 2. Overall, the percentage reporting drug use prior to arrest (76.8%) and during prison (74.3%) was similar. Age, intelligence, education, risk of depression, prior employment and having children were all significantly associated with drug use prior to

arrest. Drug use during incarceration was significantly associated with age, intelligence, depression, employment, and having children. Drug use following incarceration was significantly associated with depression, employment, and having children.

Depression, employment, children, intelligence, and education were included in the logistic model of drug use prior to arrest. Prior to arrest, prisoners with a risk of severe depression (aOR 1.45, 95% CI=1.07-1.96, $p=0.0164$) compared with moderate depression, and below average intelligence (aOR 1.59, 95% CI=1.02-2.48, $p=0.0400$) compared with definitely above average intelligence were significantly more likely to report drug use. Prisoners who were previously employed (aOR 0.45, 95% CI=0.25-0.82, $p=0.0096$) compared to not employed, had children (aOR 0.50, 95% CI=0.35-0.71, $p=0.0001$) compared with no children, and completed secondary school (aOR 0.56, 95% CI=0.38-0.84, $p=0.0053$) compared with preparatory school or more were less likely to use drugs prior to arrest.

Risk of depression and age were included in the logistic model of drug use during incarceration. During incarceration, prisoners with a risk of severe depression (aOR 1.43, 95% CI=1.18-1.73, $p=0.0003$) compared with moderate depression were significantly more likely to report drug use. Prisoners age 35 to 44 (aOR 0.72, 95% CI=0.560-0.928, $p=0.0111$) compared with prisoners age 25 to 34, were less likely to use drugs during incarceration.

Depression and having children were included in the logistic model of drug use following incarceration. Following incarceration, prisoners with a risk of severe depression (aOR 1.59, 95% CI=1.15-2.19, $p=0.0048$) compared with moderate depression were significantly more likely to report high probability of drug use. Prisoners

that had children (aOR 0.634 , 95% CI=0.460-0,873, p=0.0053) compared to prisoners that did not have children, were less likely to report a high probability of drug use.

DISCUSSION

Risk factors associated with drug use prior to arrest, during incarceration and following incarceration were different. Intelligence, education and employment were only associated with drug use prior to arrest. Risk of severe depression was significantly associated with drug use at all three time points. Age was only a risk factor during incarceration. Having children was associated with a decreased risk of drug use before arrest and following incarceration.

A decrease in the prevalence of drug use during incarceration has been reported by other studies in Mexico (1, 32) and around the world (8). In this study, drug use before and during incarceration stayed approximately the same. The prevalence of drug use before arrest and during incarceration in this study was higher than the prevalence of drug use reported in other studies. Nevárez-Sida *et al.* (1) conducted a study of similar size and found habitual drug consumption just below 30%. These discrepancies could be due to varying definitions of drug consumption. Nevárez-Sida *et al.* (1) defined drug consumption as habitual use, whereas this study defines drug consumption as consumed any drugs at all in the six months prior to arrest or during the last month of incarceration.

The results of the logistic model of drug use prior to arrest are similar to another study conducted in the Mexican prison system. Nevárez-Sida *et al.* (1) also found decreased risk of drug use among prisoners employed before incarceration (aOR=0.524 95% CI=0.328-0.835) compared to those unemployed prior to incarceration, prisoners with children (aOR=0.488 95% CI= 0.337-0.706) compared to prisoners without children, and prisoners who completed preparatory school or higher (aOR=0.473 95% CI=0.237-0.939) compared to prisoners with incomplete preparatory school education.

Strength and Weaknesses

There are few studies that look at the health of prisoners in Mexico (4, 5, 10), and even fewer that look at drug consumption (1, 32). The population of this study contains a random sample of inmates from all eight of Mexico-City's correctional facilities. The larger sample size represents one quarter of the Mexican penal system and is a representative sample of Mexico City and the adjoining State of Mexico (4).

The survey relied on self-report for many of the variables measured, including drug use. Drug use is a sensitive topic. Refusal to respond to sensitive questions is expected despite the confidential nature of the survey. Prisoners' fear of authorities finding out may have been a factor in the questionnaire response rate. Social stigma may also have played a role in a prisoner's (lack of) response. Up to 66% of prisoners preferred not to respond to questions related to consumption of specific drugs. To combat this issue, drug consumption was analyzed as a dichotomous variable which could be viewed as an oversimplification. In addition, this did not allow for comparisons of injection drugs and non-injection drugs.

Future Directions

To estimate drug use after release from prison, each prisoner was asked how likely he thought it was that he would consume illicit drugs in the first three months after release. Future studies should follow up to assess actual drug use after release.

Risk of severe depression was significantly associated with drug consumption at all three time points. A point prevalence of depression was assessed during the survey using the Beck's depression scale. This assessment does not determine whether a prisoner was depressed before their current sentence or if incarceration has led to their

depression. Future studies should include baseline depression levels at or before entry into the penal system to explore the relationship between mental health and drug use further.

Prisons concentrate marginalized and sick populations. Health advocates can use this opportunity to perform mental health screening and counseling. A study by Johnson *et al.* (12) among female prisoners in the US demonstrated that reducing depression with counseling improved outcomes in drug treatment programs. There are education and work programs in place in the Mexican penal system. However, these programs are not extensive due to the reduced space and monetary capacity of these institutions (1). These resources could potentially be depleted less by focused treatment for high risk groups.

This study assessed illicit drug use and health among male prisoners in Mexico. Below average intelligence and risk of severe depression were associated with an increased risk of drug use. Employment, children, higher education levels, older age groups were associated with a decrease risk in drug use. Risk of severe depression was significantly associated with an increased risk of drug use prior to arrest, during, and following incarceration. Information on drug use and risk factors associated with drug use among male prisoners in Mexico City's prisons can be used to tailor interventions to prevent and reduce drug use during and following incarceration.

REFERENCES

1. Nevárez-Sida A, Constantino-Casas P, Castro-Ríos A. Socioeconomic factors associated with drug consumption in prison population in Mexico. *BMC Public Health*. 2012; 12:33.
2. Secretaría de Salud: Encuesta Nacional de adicciones. 2008.
3. Dolan K A, Shearer J, White B, Zhou J, Kaldor J, Wodak, A D. Four-year follow-up of imprisoned male heroin users and methadone treatment: mortality, re-incarceration and hepatitis C infection. *Addiction*.2005; 100(6):820-828.
4. Azaola E, Bergman M. De mal en peor: las condiciones de vida en las cárceles mexicanas. *Nueva Sociedad*. 2007; 208:118-127.
5. Azaola E, Bergman M.. El Sistema Penitenciario Mexicano. UC San Diego: Center for U.S.-Mexican Studies. 2003.(<http://escholarship.org/uc/item/18w2r3h7>). (Accessed April 24, 2013).
6. Hazael. Subsecretaría de Sistema Penitenciario del Distrito Federal. 2007. (www.reclusorios.df.gob.mx). (Accessed April 24, 2013).
7. Berkman, A. Prison Health: The breaking point. *American Journal of Public Health*. 1995; 85(12):1616-1618.
8. Watson R, Stimpson A, and Hostick T. Prison health care: a review of the literature. *International journal of nursing studies*. 2004, 41(2): 119-128.
9. Devlin RJ, Henry JA: Clinical review: major consequences of illicit drug consumption. *Crit Care*. 2008; 12(1):202-208.
10. Abdala N, White E, Toussova OV, Krasnoselskikh TV, Verevochkin S, Kozlov AP, Heimer R. Comparing sexual risks and patterns of alcohol and drug use between

injection drug users (IDUs) and non-IDUs who report sexual partnerships with IDUs in St. Petersburg, Russia. *BMC Publ Health*. 2010, 10:67.

11. Hernandez R, Coloooini R, Idoate GA, Scutze E. Drug-addiction and AIDS in prison population. *Int Conf AIDS*. 1996; 11:7-11.

12. Johnson JE, Zlotnick C. Pilot study of treatment for major depression among women prisoners with substance use disorder. *Journal of Psychiatric Research*. 2012; 46:1174-1183.

13. Brinded P, Simpson AIF, Laidlaw TM, Fairley N, Malcom F. Prevalence of psychiatric disorders in New Zealand prisons: a national study. *Australian and New England Journal of Psychiatry*. 2001;35:166-73.

14. Fazel S, Danesh J. Serious mental disorder in 23,000 prisoners: a systematic review of 62 surveys. *Lancet*. 2002;359:545-50

15. James D, Glaze LE. Mental health problems of prison and jail inmates. *Bureau of Justice Statistics Special Report*. 2006.

16. Brown RA, Monti PM, Myers MG, Martin RA, Rivinus T, Dubreuil ME, Rohsenow DJ. Depression among cocaine abusers in treatment: relation to cocaine and alcohol use and treatment outcome. *American Psychiatric Association*. 1998; 155:220-5.

17. Brady TM, Krebs CP, Laird G. Psychiatric comorbidity and not completing jail based substance abuse treatment. *American Journal on Addiction*. 2004;13:83-101.

18. Gray A, Saum CA. Mental health, gender, and drug court completion. *American Journal of Criminal Justice*. 2005; 30:55-69.

19. Hickert A, Boyle SW, Tollefson DR. Factors that predict drug court completion and

drop out: findings from an evaluation of Salt Lake County's adult felony drug court.

Journal of Social Service Research. 2009; 35:149-62.

20. Hiller ML, Knight K, Simpson DD. Risk factors that predict dropout from corrections-based treatment for drug abuse. *The Prison Journal*. 1999, 79(4):411-430.

21. Baillargeon J, Williams BA, Mellow J, Harzke AJ, Hoge SK, Baillargeon G, et al. Parole revocation among prison inmates with psychiatric and substance use disorders.

Psychiatric Services. 2009; 60:1516-21.

22. Mirowsky, J, Ross CE. Selecting outcomes for the sociology of mental health: Issues of measurement and dimensionality. *Journal of Health and Social Behavior*. 2002; 43:152-170.

23. Skeem J, Louden JE, Manchak S, Haddad E, Vidal S. Social networks and social control of probationers with co-occurring mental and substance abuse problems. *Law and Human Behavior*. 2009; 33:122-35.

24. Brooke D, Taylor C, Gunn J, Maden A: Substance misuse as a marker of vulnerability among male prisoners on remand. *Br J Psychiatry*. 2000; 177:248-251.

25. Instituto Nacional de Estadística Geografía e Informática INEGI: II Censo de Población y Vivienda 2005 Instituto Nacional de Estadística Geografía e Informática; 2008. (ISBN 978-970-13-4999-1).

26. Azaola E, Bergman M. Reforming the administration of justice in Mexico. *University of Notre Dame Press*. 2007; 91-114.

27. Bryant RR, Jayawardhana A, Samaranayake VA, Wilhite A. The impact of alcohol and drug use on employment: a labor market study using the national longitudinal survey of youth university of Wisconsin institute for research on poverty. 1996; 1092-96.

28. Henkel D. Unemployment and substance use: a review of the literature (1990-2010). *Curr Drug Abuse Rev.* 2011; 4(1):4-27.
29. National Institute of Public Health. Mexico. Conventions and Service. (<http://www.insp.mx/insp-overview/collaboration-and-service.html>). (Accessed April 24, 2013).
30. Kendall P C, Howard BL, Hays R C. Self-referent speech and psychopathology: The balance of positive and negative thinking. *Cognitive Therapy and Research* ;1989 13(6), 583-598.
31. Raven J. The Raven's progressive matrices: change and stability over culture and time. *Cognitive Psychology.* 2000; 41:1-48.
32. Campollo O, Romana S, Panduroa A, Hernandez G, Diaz-Barrigab L, Balanzariob MC, Cunningham JK. Non-injection drug use and hepatitis C among drug treatment clients in westcentral Mexico. *Drug and Alcohol Dependence.* 2012; 123:269-272.

TABLES

Table 1. Characteristics of male prisoners incarcerated in the Mexico City prison system, 2008, N=2279

Variable	n	%
Age		
18-24	505	22.2
25-34	1281	56.2
35-44	388	17.0
≥45	105	4.6
Education		
Primary school or less	620	27.2
Secondary school	1086	47.7
Preparatory or more	573	25.1
Risk of Depression		
Minimal	0	0.0
Mild	0	0.0
Moderate	1260	55.3
Severe	1019	44.7
Intellectual Capacity†		
Definitely below average	124	11.9
Below average	321	30.7
Average to above average	419	40.1
Definitely above average	182	17.4
Employment		
Yes	1981	86.9
No	298	13.1
Children		
Yes	1439	63.1
No	840	36.9
Drug use prior to arrest		
Marijuana		
Yes	1172	51.4
No	718	31.5
Prefer not to answer	389	17.1
Inhalants		
Yes	645	28.3
No	433	19.0
Prefer not to answer	1201	52.7
Crack or cocaine		
Yes	1072	47.0

	No	431	18.9
	Prefer not to answer	776	34.1
Pills			
	Yes	496	21.8
	No	344	15.1
	Prefer not to answer	1439	63.1
<hr/>			
Drug use during incarceration			
Marijuana			
	Yes	1477	64.8
	No	416	18.3
	Prefer not to answer	386	16.9
Inhalants			
	Yes	509	22.3
	No	565	24.8
	Prefer not to answer	1205	52.9
Crack or cocaine			
	Yes	822	36.1
	No	682	29.9
	Prefer not to answer	775	34.0
Pills			
	Yes	436	19.1
	No	398	17.5
	Prefer not to answer	1445	63.4
<hr/>			
Probability of drug use following incarceration[^]			
	Low	696	63.45
	Medium	219	19.96
	High	182	16.59

†N=1046

[^]N=1097

Table 2. Differences in characteristics of male prisoners by drug use before arrest, during, and following incarceration, Mexico City, 2008, N=2279

Variable, n (%)	Drug Use Before Arrest				P	Drug Use During Incarceration				P	Drug Use Following Incarceration [^]				P
	No		Yes			No		Yes			No		Yes		
Drug use	529	(23.21)	1750	(76.79)		585	(25.67)	1694	(74.33)		915	(83.41)	182	(16.59)	
Age					0.0087*					0.0025*					0.8934
18-24	95	(17.96)	410	(23.43)		113	(19.32)	392	(23.14)		243	(26.56)	48	(26.37)	
25-34	301	(56.90)	980	(56.0)		314	(53.68)	967	(57.08)		585	(63.93)	118	(64.84)	
35-44	99	(18.71)	289	(16.51)		124	(21.20)	264	(15.58)		76	(8.31)	15	(8.24)	
≥45	34	(6.43)	71	(4.06)		34	(5.81)	71	(4.19)		11	(1.20)	1	(0.55)	
Intellectual Capacity[†]					0.0072*					0.0140*					
Definitely below average	21	(8.68)	103	(12.81)		26	(8.67)	98	(13.14)		-	-	-	-	
Below average	59	(24.38)	262	(32.59)		110	(36.67)	211	(28.28)		-	-	-	-	
Average to above average	110	(45.45)	309	(38.43)		108	(36.0)	311	(41.69)		-	-	-	-	
Definitely above average	52	(21.49)	130	(16.17)		56	(18.67)	126	(16.89)		-	-	-	-	
Education					<0.0001*					0.8857					0.2025
Primary school or less	118	(22.31)	502	(28.69)		163	(27.86)	457	(26.98)		238	(26.01)	57	(31.32)	
Secondary school	242	(45.75)	844	(48.23)		274	(46.84)	812	(47.93)		450	(49.18)	89	(48.90)	
Preparatory or more	169	(31.95)	404	(23.09)		148	(25.30)	425	(25.09)		227	(24.81)	36	(19.78)	
Risk of Depression					0.0017*					<0.0001*					0.0038*
Moderate	324	(61.25)	936	(53.49)		363	(62.05)	897	(52.95)		529	(57.81)	84	(46.15)	
Severe	205	(38.75)	814	(46.51)		222	(37.95)	797	(47.05)		386	(42.19)	98	(53.85)	
Employment					<0.0001*					0.0756					0.0332*
No	41	(7.75)	257	(14.69)		64	(10.94)	234	(13.81)		125	(13.66)	36	(19.78)	
Yes	488	(92.25)	1493	(85.31)		521	(89.06)	1460	(86.19)		790	(86.34)	146	(80.22)	
Children					<0.0001*					0.0189*					0.0042*
no	140	(26.47)	700	(40.0)		192	(32.82)	648	(38.25)		358	(39.13)	92	(50.55)	
yes	389	(73.53)	1050	(60.0)		393	(67.18)	1046	(61.75)		557	(60.87)	90	(49.45)	

[^]N=1097

[†]N=1046

Table 3. Factors associated with drug use before arrest, during, and following incarceration

Variable	Drug Use Before Arrest				Drug Use During Incarceration				Drug Use Following Incarceration [^]			
	aOR	95% CI		P	aOR	95% CI		P	aOR	95% CI		P
Age												
18-24					1.20	0.95	1.51	0.1206				
25-34					1.00	reference						
35-44					0.72	0.56	0.93	0.0111*				
≥45					0.71	0.46	1.10	0.1263				
Intellectual Capacity[†]												
Definitely below average	1.75	0.97	3.16	0.0622								
Below average	1.59	1.02	2.48	0.0400*								
Average to above average	1.03	0.69	1.54	0.8764								
Definitely above average	1.00	reference										
Education												
Primary school or less	1.05	0.71	1.54	0.8170								
Secondary school	0.56	0.38	0.84	0.0053*								
Preparatory or more	1.00	reference										
Risk of Depression												
Moderate	1.00	reference			1.00	reference			1.00	reference		
Severe	1.45	1.07	1.96	0.0164*	1.44	1.18	1.74	0.0003*	1.59	1.15	2.19	0.0048*
Employment												
Yes	0.45	0.25	0.82	0.0096*								
No	1.00	reference										
Children												
Yes	0.50	0.35	0.71	0.0001*					0.63	0.46	0.87	0.0053*
No	1.00	reference							1.00	reference		

[^]N=1097[†]N=1046

APPENDICES

AIDS: Acquired Immune deficiency syndrome

aOR: adjusted odds ratio

CI: confidence interval

DF: degrees of freedom

HIV: Human immunodeficiency virus

LR: likelihood ratio

MDD: Major depressive disorder

Tb: tuberculosis

SD: standard deviation

STI: Sexually transmitted Infection

Instituto Nacional de Salud Pública (logo)	
<h2>Get tested: Your health is the challenge</h2> <h3>MALE – CORE SECTIONS</h3>	
Centro de Investigación en Evaluación y Encuestas	

#	Every box indicates an screen unit Text outside of boxes must not be programmed into audio nor screen.			Indications for the	
		Answers Options	Cod.	Programmer	Rank
#	Questions and sections. Survey's instructions or Explanations about the questions.				
#	Questions and sections. Survey's instructions or Explanations about the questions.	Answers Options	Cod.	Indications for the programmer	Rank
A	Demographic Characteristics				
NOT_A_1_B	To begin with, we will ask you some general questions. Demographic Characteristics				
A001	How old are you?	NUMERIC KEYPAD Prefer not to answer	888	18-110	
A002	What is your marital status?	Single Married or living with someone Separated, divorced or widow Prefer not to answer	1 2 3 8		
A003	How many sons and daughters do you have? If none, please select "0"	NUMERIC KEYPAD Prefer not to answer	88	Maximum 30	
A004	Where were you born?	In Distrito Federal In Estado de México Another state of the Republica Mexicana Other country Prefer not to answer	1 2 3 4 8	Follow with A005A Follow with A005B Follow with A005c	
A005A	Specifically, in which county or municipality were you born?	Distrito Federal Alvaro Obregón Azcapotzalco Benito Juárez Coyoacán Cuajimalpa Cauhtémoc Gustavo A. Madero Iztacalco Iztapalapa Magdalena Contreras Miguel Hidalgo	1 2 3 4 5 6 7 8 9 10 11	Do only A005A if A004=1 JAR	

		<i>Milpa Alta</i>	12	
		<i>Tláhuac</i>	13	
		<i>Tlalpan</i>	14	
		<i>Venustiano Carranza</i>	15	
		<i>Xochimilco</i>	16	
		Prefer not to answer	88	
A005B	Specifically, in which county or municipality were you born?	Estado de México		Do only A005B if A004=2
		<i>Nezahualcóyotl</i>	1	
		<i>Toluca</i>	2	
		<i>Naucalpan</i>	3	
		<i>Ecatepec</i>	4	
		<i>Tlanepantla</i>	5	
		<i>Chalco</i>	6	
		<i>Chimalhuacán</i>	7	
		<i>Álamo de Juárez</i>	8	
		<i>Ixtapaluca</i>	9	
		Other county or municipality	10	
		Prefer not to answer	88	
A005c	Do you speak any indigenous language (such as náhuatl, otomí or maya)?	Yes	1	
		No	2	
		Prefer not to answer	8	
A005d	Do your parents speak any indigenous language?	Yes	1	
		No	2	
		Prefer not to answer	8	
A006	Before you were arrested this last time, Where did you live?	In <i>Distrito Federal</i>	1	Go to A007A
		In <i>Estado de México</i>	2	Go to A007B
		Other state of the <i>Republica Mexicana</i>	3	Go to A009
		Prefer not to answer	8	
A007A	Before you were arrested this last time, In which county or municipality did you live?	Distrito Federal		ONLY IF A006=1
		<i>Alvaro Obregón</i>	1	
		<i>Azcapotzalco</i>	2	
		<i>Benito Juárez</i>	3	
		<i>Coyoacán</i>	4	
		<i>Cuajimalpa</i>	5	
		<i>Cuauhtémoc</i>	6	
		<i>Gustavo A. Madero</i>	7	
		<i>Iztacalco</i>	8	
		<i>Iztapalapa</i>	9	
		<i>Magdalena Contreras</i>	10	
		<i>Miguel Hidalgo</i>	11	
		<i>Milpa Alta</i>	12	
		<i>Tláhuac</i>	13	
		<i>Tlalpan</i>	14	
		<i>Venustiano Carranza</i>	15	
		<i>Xochimilco</i>	16	
		Prefer not to answer	88	SKIP A007c and A008
A007B	Before you were arrested this last time, In which county or municipality did you live?	Estado de México		ONLY IF A006=2
		<i>Nezahualcóyotl</i>	1	
		<i>Ecatepec</i>	2	

		<p><i>Naucalpan</i> 3 <i>Toluca</i> 4 <i>Tlalnepantla</i> 5 <i>Chimalhuacán</i> 6 <i>Valle de Chalco</i> 7 <i>Ixtapaluca</i> 8 <i>Chalco</i> 9 <i>Cuautitlán Izcalli</i> 10 <i>Atizapán</i> 11 <i>Tejupilco</i> 12 <i>La Paz</i> 13 <i>Chicoloapan</i> 14 <i>Coacalco</i> 15 <i>Tecamac</i> 16 <i>Texcoco</i> 17 <i>Cuautitlán</i> 18 <i>Huixquilucan</i> 19 <i>Metepec</i> 20 Other municipality 21</p>		
		Prefer not to answer	88	SKIP A007c and A008
A007c	<p>What was the Zip Code of the place where you were living before you were arrested this last time?</p> <p>Detach a list of Zip Codes from the county or municipality selected in the previous questions Doesn't know or Doesn't appear on the list</p> <p>Choose the Zip Code from the list, if it doesn't exist or doesn't know, select: "99999" if prefer not to answer, select "88888"</p>	Prefer not to answer	88888	<p>SKIP A008 if there is a valid data. Detach a list of Zip Codes from the county or municipality selected A007A</p> <p>Add informative note</p>
A008	<p>In which neighborhood did you live before you were arrested this time?</p> <p>Detach a list of neighborhoods from the county or municipality selected on the previous question</p> <p>Choose the neighborhood from the list, if it doesn't appear on the list select: "Neighborhood doesn't appear".</p>	Prefer not to answer	88	<p>Do only if A007c=99 ó 88 Detach a list of neighborhoods from the county or municipality in alphabetic order selected on question A007</p>
A009	<p>From the following options, Which one describes better the type of place where you were living before you were arrested?</p> <p>House Apartment Room</p>	<p>1 2 Car or truck 3 Hotel 4 Street 5 t 6 Some institution 7 Other place 8 Prefer not to answer 88</p>		<p>SKIP A015-A018</p> <p>SKIP A010-A018</p>
A010	<p>Was that housing...</p>	<p>Owned 1 Rented 2 Lent 3</p>		

		Prefer not to answer	8	
A011	With whom did you share housing accommodations before you were arrested? select several options-	Mother Father Partner Children Other relatives Friends Alone Other people	1 2 3 4 5 6 7 8 88	SKIP A012 SKIP A012
A012	Given a total, with how many people did you live in that housing?	NUMERIC KEYPAD Prefer not to answer	88	Uno-50
A013	The month before you were arrested, in the placed you were living, of what material was most of the ceiling made of? Carton sheets	Metal or asbestos sheets Wood Tile Solid concrete ceiling or with bricks, or Styrofoam Other material Prefer not to answer	1 2 3 4 5 6 8	
A014	Before you were arrested, in the place you were living, Of what material was most of the floor made of?	Clay Cement Vinyl tile, linoleum, or Congoleum Tiled or Cement floor Glazed tile, marble or terrazzo Wood or floorboard Carpet Other material Prefer not to answer	1 2 3 4 5 6 7 8 88	
A015	Before you were arrested, How many rooms did the place you lived in have? Includes: bathrooms, kitchen or any other type of room	NUMERIC KEYPAD Prefer not to answer	88	If A015=1, skip A016-1018 Uno-50
A016	Before you were arrested, Did the place you lived in have a kitchen?	Yes No Prefer not to answer	1 2 8	skip A017
A017	In the placed you lived in, before you were arrested, was the kitchen also use for sleeping?	Yes No Prefer not to answer	1 2 8	

A018	In the placed you lived in, before you were arrested, how many rooms were used for sleeping?	NUMERIC KEPPAD Prefer not to answer	88			A018>0 &≤A015
------	--	--	----	--	--	---------------

NOT_A_2	Now we will ask you some questions about your activities, before you were arrested this last time					
---------	---	--	--	--	--	--

A019	Before you were arrested this last time, with whom did you hang out in your free time? You may select more than one option.	Neighborhood friends Friends from other neighborhoods Friends from School Friends from Work Partner Relatives Other people Prefer not to answer	0 1 2 3 4 5 6 8			
------	--	--	--------------------------------------	--	--	--

A020	Before you were arrested this last time, where did you met up with the people that you hung out with in your free time? You may select more than one option	Neighborhood's courts or parks Fast food place, bar or club On the street At my house At some of my friends house Other place Prefer not to answer	0 1 2 3 4 5 8			
------	--	--	---------------------------------	--	--	--

B School and Work
History of conditions of activity and income

NOT_B_1_B	Now we will ask you about the activities that you did before your entered the prison.					
-----------	---	--	--	--	--	--

B001	What is your academic level of studies? Choose the highest level of studies, regardless the grade you have finished	Primary School Secondary School High School or Bachelorette Technical College University Never studied Prefer not to answer	1 2 3 4 5 6 8	Go to B002		
------	--	---	---------------------------------	------------	--	--

B00101	What grade did you finish in elementary school?	First Second Third Fourth Fifth Sixth Finished Primary School Prefer not to answer	1 2 3 4 5 6 7 8	Just ask B00101 if B001 = 1		
--------	---	---	--------------------------------------	-----------------------------	--	--

B00102	What grade did you finish in secondary school?	First Second Third Finished Secondary School Prefer not to answer	1 2 3 4 8	Just ask B00102 if B001 = 2		
--------	--	---	-----------------------	-----------------------------	--	--

B00103	What grade did you finish in High school or College?	First Second Third Finished High School Prefer not to answer	1 2 3 4 8	Just Ask B00103 if B001 = 3		
B00104	What part of technical studies did you complete?	Less than half of studies More than half of studies Finished Technical College Prefer not to answer	1 2 3 8	Just Ask B00104 if B001 = 4		
B00105	What studies or grade did you finish at the University?	Less than half of studies More than half of studies Finished University Studied some Post-grade Prefer not to answer	1 2 3 4 8	Just Ask B00105 if B001 = 5		
B002	Not including the jobs you have gotten in prison, have you ever worked or gotten any job?	Yes No Prefer not to answer	1 2 8	Skip B003, B004, B006 – B009		
B003	How old were you when you got your first job?	NUMERIC KEYPAD Prefer not to answer	888		1 to Age	
B004	During the month prior to this last time you were arrested, did you have a job?	Yes No Prefer not to answer	1 2 8	Skip B005 Skip B006, B009		
B005	During the month prior to this last time you were arrested, where you looking for a job?	Yes No Prefer not to answer	1 2 8	Just do it if B004 = No or 8		
B006	During the month prior to this last time you were arrested, what was your job?	Day laborer, farm worker or country man Factory worker or employee Domestic worker Sexual worker Construction worker or industry worker Taxi driver, truck driver, bus driver, shuttle driver, or any other vehicle driver Selling legal merchandise like food, clothes, furniture or school supplies Selling illegal merchandise like drugs or guns Other job Prefer not to answer	1 2 3 4 5 6 7 8 9 88			

B007	At this job, did you sign a contract?	Yes, as a temporary employee 1 Yes, as a permanent employee 2 I did not have a contract 0 Prefer not to answer 8				
------	---------------------------------------	---	--	--	--	--

B008	At this job, did you have IMSS, ISSTE or another type of social security service?	Yes 1 No 2 Prefer not to answer 8				
------	---	---	--	--	--	--

B009	What was your monthly income at that job?	NUMERIC KEYPAD Prefer not to answer 888888			1- 150000	
------	---	---	--	--	-----------	--

B010	During the month before you were arrested this last time, did you receive money from any of the following activities? You may select several options.	Selling drugs 1 Selling other illegal merchandise like guns 2 Robbery 3 Kidnapping 4 Another illegal activity 5 Did not receive money from any illegal activity 0 Prefer not to answer 8		Skip B011		
------	--	--	--	-----------	--	--

B011	How much money did you receive from these or other illegal activities?	Less than \$5,000 pesos 1 Between \$5,000 and \$10,000 pesos 2 Between \$10,001 and \$50,000 pesos 3 Between \$50,001 and \$100,000 pesos 4 More than \$100,000 pesos 5 Prefer not to answer 8				
------	--	---	--	--	--	--

C Migration

NOT_C_1_B	In this section we will ask you if you have lived in U.S.A.					
-----------	---	--	--	--	--	--

C001	Have you ever traveled to the US to live or to work? Not for vacations or visiting relatives	Yes 1 No 2 Prefer not to answer 8		Go to D001		
------	--	---	--	------------	--	--

C002	How many years ago was the last time you were in the US?	This year 0 NUMERIC KEYPAD Prefer not to answer 888			≤Age	
------	--	---	--	--	------	--

C003	The last time you traveled to the US, for how many years did you stay there?	Less than a year NUMERIC KEYPAD Prefer no to answer	0 888		≤ Age	
------	--	---	----------	--	-------	--

C004	In the last job that you had in the US, approximately how many hours did you get paid per week?	Never had a job in the US Less than 10 hours per week From 10 to 20 hours per week From 21 to 40 hours per week More than 40 hours per week Prefer not to answer	0 1 2 3 4 8			
------	---	---	----------------------------	--	--	--

C005	By the time you left to go to the US, did you have a legal document to enter that country?	Tourist Visa Work Visa or "Green Card" Have American nationality Did not have any document Prefer not to answer	1 2 3 4 8			
------	--	---	-----------------------	--	--	--

D Childhood

NOT_D_1_B Now we will ask you some questions about you and the people you lived with before you turn 15 years old.

D001	Before you turn 15 years old, which woman or women who took care of you, did you live with? You may select several options.	Mother Step mother Older sister Aunt Grand mother Other woman None Prefer not to answer	1 2 3 4 5 6 0 8	Skip D002		
------	--	--	--------------------------------------	-----------	--	--

D002	Before you turn 15 years old, which of the following women did you live with more? You may select several options.	Mother Step mother Older sister Aunt Grand mother Other woman Prefer not to answer	1 2 3 4 5 6 8	Ask this question only if on D001 selected more than one option different to "0" or "8". Just allow same numbers than on D001		
------	---	--	---------------------------------	---	--	--

D003	Before you turn 15 years old, which man or men who took care of you, did you live with? You may select several options.	Father Step father Old brother Uncle Grand Father Other man None	1 2 3 4 5 6 0	Skip D004		
------	--	--	---------------------------------	-----------	--	--

D004	Before you turn 15 years old, which of the following men did you live with more? You may select several options.	Father Step father Old brother Uncle Grand father Other man Prefer not to answer	1 2 3 4 5 6 8	Ask this question only if on D003 selected more than one option different to "0" or "8". Just allow same numbers than on D003		
------	---	--	---------------------------------	---	--	--

E Criminal Record

NOT_E_1_B	Here below we will ask you the reasons you are here in prison.
-----------	--

E001	How many times have you been arrested?	NUMERIC KEYPAD Prefer not to answer	88	If E001 = 1 or 88, SKIP E002, E007-E026	Maximum 50	
------	--	--	----	---	---------------	--

E001A	How old were you the day you were arrested this last time?	NUMERIC KEYPAD Years		JGR		A001<>888Rank:>11 &<=Age if A001=888 Rank>11 & <111
-------	--	-------------------------	--	-----	--	---

E002	How much time has passed between the last time you were released and this last time you were arrested? To go over the next option, please fill in the 3 boxes	Days NUMERIC KEYPAD Months NUMERIC KEYPAD Years NUMERIC KEYPAD Prefer not to answer	88	Ask only if E001>1	JGR	Rank : <30 Rank: <12 Rank:<Age or if A001=888<111
------	--	---	----	--------------------	-----	---

E003	Since you were arrested this last time, how long have you been an inmate at this prison? To go over the next option, please fill in the 3 boxes	Days NUMERIC KEYPAD Months NUMERIC KEYPAD Years NUMERIC KEYPAD Prefer not to answer	88	JGR		Rank : <30 Rank: <12 Rank:<Age-E001A if A001=888 Rank <111-Age
------	--	---	----	-----	--	--

E004	What crime or crimes did you commit this last time you were arrested? You may select several options	Criminal Homicide Manslaughter Kidnapping Assault Sexual Crimes Aggravated robbery Drug related crimes Burglary Carrying Illegal, Prohibited Weapons Robbery Fraud or Embezzlement Other crime Prefer not to answer	1 2 3 4 5 6 7 8 9 10 11 12 88			
------	---	---	---	--	--	--

E005	Have you been sentenced for the crime you were accused this last time you were arrested?	Yes No Prefer not to answer	1 2 8	Skip Next		
E006	How much time do you have left to complete your sentence? To go over the next option, please fill in the 3 boxes.	Days NUMERIC KEYPAD Months NUMERIC KEYPAD Years NUMERIC KEYPAD Prefer not to answer	888		Rank : <30 Rank: <12 Rank:<300	
E007	Without counting the current sentenced you are completing, have you been sentenced before?	Yes No Prefer not to answer	1 2 8	Only ask this question if E001 > 1 Skip E008		
E008	Without counting the current sentenced you are completing, how many times have you been sentenced?	NUMERIC KEYPAD Prefer not to answer	88	Only ask this questions if E001 >1 and E007=1	Maximum 10	
E009	The first time you were arrested, for how long were you incarcerated? To go over the next question, please fill in the 3 boxes.	Days NUMERIC KEYPAD Months NUMERIC KEYPAD Years NUMERIC KEYPAD Prefer not to answer	888	Only ask this question if E001>1	Rank: <30 Rank: <12 Rank:≤E001A	
E010	The first time you were arrested, how old were you?	NUMERIC KEYPAD Prefer not to answer	888	Only ask this question if E001>1	Rank:≤ E001A	
E011	That first time you were arrested, what crime or crimes were you accused of? You may select several options.	Criminal Homicide Manslaughter Kidnapping Assault Sexual Crimes Aggravated robbery Drug related crimes Burglary Carrying illegal, Prohibited Weapon Robbery Fraud or Embezzlement Other crime Prefer not to answer	1 2 3 4 5 6 7 8 9 10 11 12 88	Only ask this question if E001>1		
E012	The second time you were arrested, for how long were you incarcerated? To go over the next question, please fill in the 3 boxes.	Days NUMERIC KEYPAD Months NUMERIC KEYPAD Years NUMERIC KEYPAD Prefer not to answer	888	Only ask this question if E001>2	Rank: <30 Rank: <12 Rank:≤ E001A	

E013	That second time you were arrested, how old were you?	NUMERIC KEYPAD Prefer not to answer	888	Only ask this question if E001>2 JGR	Rank: ≥E010 & ≤ Age ; if E010=88 Rank:≤ E001A	
E014	That second time you were arrested, what crime or crimes were you accused of? You may select several options.	Criminal Homicide Manslaughter Kidnapping Assault Sexual Crimes Aggravated robbery Drug related crimes Burglary Carrying illegal, Prohibited Weapon Robbery Fraud or Embezzlement Other crime Prefer not to answer	1 2 3 4 5 6 7 8 9 10 11 12 88	Only ask this question if E001>2		
E015	The third time you were arrested, for how long were you incarcerated? To go over the next question, please fill in the 3 boxes.	Days NUMERIC KEYPAD Months NUMERIC KEYPAD Years NUMERIC KEYPAD Prefer not to answer	888	Only ask this question if E001>3	Rank: <30 Rank: <12 Rank: < E001A	
E016	That third time you were arrested, how old were you?	NUMERIC KEYPAD Prefer not to answer	888	Only ask this question if E001>3 JGR	Rank: ≥E013 & ≤ Age ; if E013=88 Rank:≤ E001A	
E017	That third time you were arrested, what crime or crimes were you accused of? You may select several options.	Criminal Homicide Manslaughter Kidnapping Assault Sexual Crimes Aggravated robbery Drug related crimes Burglary Carrying illegal, Prohibited Weapon Robbery Fraud or Embezzlement Other crime Prefer not to answer	1 2 3 4 5 6 7 8 9 10 11 12 88	Only ask this question if E001>3		

E018	The fourth time you were arrested, for how long were you incarcerated? To go over the next question, please fill in the 3 boxes.	Days NUMERIC KEYPAD Months NUMERIC KEYPAD Years NUMERIC KEYPAD Prefer not to answer	888	Only ask this question if E001>4	Rank: <30 Rank: <12 Rank:< E001A	
E019	That fourth time you were arrested, how old were you?	NUMERIC KEYPAD Prefer not to answer	888	Only ask this question if E001>4 JGR	Rank: ≥E016 & ≤ Age ; if E016=88 Rank:≤ E001A	
E020	That fourth time you were arrested, what crime or crimes were you accused of? You may select several options.	Criminal Homicide Manslaughter Kidnapping Assault Sexual Crimes Aggravated robbery Drug related crimes Burglary Carrying Illegal, Prohibited Weapon Robbery Fraud or Embezzlement Other crime Prefer not to answer	1 2 3 4 5 6 7 8 9 10 11 12 88	Only ask this question if E001>4		
E021	The fifth time you were arrested, for how long were you incarcerated? To go over the next question, please fill in the 3 boxes.	Days NUMERIC KEYPAD Months NUMERIC KEYPAD Years NUMERIC KEYPAD Prefer not to answer	888	Only ask this question if E001>5	Rank: <30 Rank: <12 Rank:< E001A	
E022	That fifth time you were arrested, how old were you?	NUMERIC KEYPAD Prefer not to answer	888	Only ask this question if E001>5 JGR	Rank: ≥E019 & ≤ Age ; if E019=88 Rank:≤ E001A	
E023	That fifth time you were arrested, what crime or crimes were you accused of? You may select several options.	Criminal Homicide Manslaughter Kidnapping Assault Sexual Crimes Aggravated robbery Drug related crimes Burglary Carrying Illegal, Prohibited Weapon Robbery	1 2 3 4 5 6 7 8 9 10	Only ask this question if E001>5		

		Fraud or Embezzlement Other crime Prefer not to answer	11 12 88			
E024	The sixth time you were arrested, for how long were you incarcerated? To go over the next question, please fill in the 3 boxes.	Days NUMERIC KEYPAD Months NUMERIC KEYPAD Years NUMERIC KEYPAD Prefer not to answer	888	Only ask this question if E001>6	Rank: <30 Rank: <12 Rank: < E001A	
E025	That sixth time you were arrested, how old were you?	NUMERIC KEYPAD Prefer not to answer	888	Only ask this question if E001>6 JGR	Rank: ≥E022 & ≤ Age ; if E022=88 Rank: ≤ E001A	
E026	That sixth time you were arrested, what crime or crimes were you accused of? You may select several options.	Criminal Homicide Manslaughter Kidnapping Assault Sexual Crimes Aggravated robbery Drug related crimes Burglary Carrying Illegal, Prohibited Weapon Robbery Fraud or Embezzlement Other crime Prefer not to answer	1 2 3 4 5 6 7 8 9 10 11 12 88	Only ask this question if E001>6		
E027	Including this one, in how many different prisons have you been incarcerated?	NUMERIC KEYPAD Prefer not to answer	88	If E027=1 ú 88, Skip next		
E027a	In which ones have you been incarcerated? You may select several options.	<i>Reclusorio Preventivo Varonil Norte</i> <i>Centro de Ejecución de Sanciones Penales Varonil Norte</i> <i>Reclusorio Preventivo Varonil Oriente</i> <i>Centro de Ejecución de Sanciones Penales Varonil Oriente</i> <i>Reclusorio Preventivo Varonil Sur</i> <i>Penitenciaría del Distrito Federal</i> <i>Centro Varonil de Readaptación Psicosocial</i> <i>Centro de Readaptación Social Varonil Santa Martha Acatitla</i> <i>Centro de Sanciones Administrativas</i> <i>Reclusorios(s) fuera del D.F.</i> Prefer not to answer	1 2 3 4 5 6 7 8 9 10 88	Only ask this question if E027>1	Rank: E027 gives the number of acceptable options	

E028	For how many people was the cell you slept in last week built?	NUMERIC KEYPAD Prefer not to answer	88		Rank <100	
E029	During the last week, with how many people did you share a cell? If you do not know the exact number, please try to figure it out.	NUMERIC KEYPAD Prefer not to answer	888		Rank <500	
NOT_E_2	Now, we are going to ask you some questions about the visits that you get here in prison					
E030	How many visits did you get in the last seven days? If you did not get any visit, please select "0"	NUMERIC KEYPAD Prefer not to answer	88		<35	
E031	Have you ever gotten conjugal visit?	Yes No Prefer not to answer	1 2 8	Skip E032		
E032	Since you were arrested this last time, when was the last time you got a conjugal visit To go over the next question, please fill in the 3 boxes.	Days NUMERIC KEYPAD Months NUMERIC KEYPAD Years NUMERIC KEYPAD Prefer not to answer	888		Rank/level:<7 Rank/level:<5 Rank/level:<E003; If E003=88, <60	
F Time usage						
NOTF2	Now, we would like to know the time that you invest in some activities.					
F001	Do you have any job here in prison?	Yes No Prefer not to answer	1 2 8			
F002	Here in prison, ¿Do you take any workshops or are you part of an organized sports team? You may select several options.	Soccer team Basketball team Volleyball team Squash team Tennis team Gym team Chess team Dominoes team Other team or sports team Other group or non-sports workshop Prefer not to answer	1 2 3 4 5 6 7 8 9 10 88	May select all of the options		
F002a	Having in mind the team or all of the sports teams that you participated in during the last 3 months in prison, How many times a week have you trained or played a game that has kept you moving at least 30 minutes?	Less than once a week Once a week Twice a week	1 2 3	Ask only if on F002 selected at least one of the options 1 to 6 or 9		

		Three times a week	4			
		Four times a week	5			
		Five times a week	6			
		Six times a week	7			
		Seven times a week	8			
		Prefer not to answer	88			

F002b	<p>During the last 3 months that you spent out of prison, before you were arrested the last time, How many times a week did you meet up with a team to train or play a match that kept you moving at least 30 minutes?</p> <p>If less than three months passed between your last release and the last time you were arrested, answer considering the time mentioned in the above question.</p>	<p>Less than once a week</p> <p>Once a week</p> <p>Twice a week</p> <p>Three times a week</p> <p>Four times a week</p> <p>Five times a week</p> <p>Six times a week</p> <p>Seven times a week</p> <p>I did not met up with any sports team outside of prison</p> <p>Prefer not to answer</p>	<p>1</p> <p>2</p> <p>3</p> <p>4</p> <p>5</p> <p>6</p> <p>7</p> <p>8</p> <p>99</p> <p>88</p>			
-------	--	--	---	--	--	--

INSERT SECTION M IN THIS POINT, BEFORE SECTIONS G-H-I

G	Tattoos				
NOTG2	Now, we will ask you some questions about how, when and where you have gotten a tattoo, if you have gotten any.				
G001	Do you have any tattoos?	Yes No Prefer not to answer	1 2 8	Go to H001	
G002	Have you gotten any tattoos outside of prison?	Yes No Prefer not to answer	1 2 8	Go to G006	
G003	How many tattoos have you gotten outside of prison?	NUMERIC KEYPAD Prefer not to answer	888	One to 99	
G004	When you have gotten a tattoo, has at least one been done by someone not professional? By professional we mean by someone that use specific and new equipment	Yes No Don't know Prefer not to answer	1 2 9 8		
G005	When you have gotten a tattoo outside of prison, which part of your body had been tattooed? You may select several options	Arms Back Forearm Chest Legs Head Other part of the body Prefer not to answer	1 2 3 4 5 6 7 8	May select all of the options	
Tattoos inside of prison					
G006	Have you gotten any tattoos inside of prison?	Yes No Prefer not to answer	1 2 8	Go to H001	
G007	How many tattoos have you gotten in prison?	NUMERIC KEYPAD Prefer not to answer	888	One-99	
G008	When you got a tattoo inside of prison, which part of your body was tattooed? You may select several options.	Arms Back Forearm Chest Legs Head Other part of the body Prefer not to answer	1 2 3 4 5 6 7 8	May select all of the options	

H Drugs and Alcohol Usage

NOTH2	We will ask you some questions about drugs and alcohol consumption. Do not worry, because we will not reveal this information; remember that all of your answers are confidential. Under no circumstances will we give individual information to either any one related to the prison (interns, guardians, or any other personnel) or other people. Only members of the research team will be able to see this data, without having the chance to identify who answered those questions. Also, we will ask you about consumption of vitamins and nutritional supplements.				
H001	Which of the following substances have you consume any time in your life? You may select several options.	Alcohol Marihuana (Weed, pot) Inhalers such as thinner adhesive, glue-sniffer or stimulant Cocaine or crack Pills Heroin None Prefer not to answer	1 2 3 4 5 6 0 8	Go to H007 Go to H007	
H002	How old were you when you started to consume alcoholic beverages?	NUMERIC KEYPAD Prefer not to answer	888	Apply only if H001 = 1	
H003	How old were you when you started to consume marihuana?	NUMERIC KEYPAD Prefer not to answer	888	Apply only if H001 = 2	
H004	How old were you when you started to consume inhalers such as thinner, adhesive, glue-sniffer or any stimulant?	NUMERIC KEYPAD Prefer not to answer	888	Apply only if H001 = 3	Less or equal to A001 (current age)
H005	How old were you when you started to consume cocaine or crack?	NUMERIC KEYPAD Prefer not to answer	888	Apply only if H001 = 4	
H006	How old were you when you started to consume pills?	NUMERIC KEYPAD Prefer not to answer	888	Apply only if H001 = 5	
H006A	How old were you when you started to consume Heroine?	NUMERIC KEYPAD Prefer not to answer	888	Apply only if H001 = 6	
H007	Have you ever been injected with any drug?	Yes No Prefer not to answer	1 2 8	SKIP H007a H008, H015, H016, H024, H025 and their dependents	

				Indicated by letters		
H007a	What kind of drugs have you been injected at least once in your life? You may select several options.	Heroine Cocaine or crack Meth, Crystal Alcohol Other Prefer not to answer	1 2 3 4 5 8			
H008	How old were you, when you started to get drug injections?	NUMERIC KEYPAD Prefer not to answer	888			Rank H008<= Age
H009	Have you ever been injected with any vitamins or nutritional supplements?	Yes No Prefer not to answer	1 2 8	Skip H017, H018, H026, H027		
NOTH2A	The following questions are related to the occasions you have consume substances outside the prison. Keep in mind that your answers are confidential.			Only show note if H001g=0 or (h007=1 or H007=8)		
H010	During the last 6 months before you were arrested the last time, how often did you consume alcoholic beverages?	Every day Three times a week Once a week Once every two weeks Once a month Less than once a month Did not consume any alcohol on the last six months before I was arrested I have not consumed alcohol outside the prison Prefer not to answer	1 2 3 4 5 6 7 8 88	Only ask question if H001=1		
H011	During the last 6 months before you were arrested the last time, how often did you consume marihuana?	Every day Three times a week Once a week Once every two weeks Once a month Less than once a month Did not consume marihuana on the last six months before I was arrested I have not consumed marihuana outside the prison Prefer not to answer	1 2 3 4 5 6 7 8 88	Only ask question if H001=2		
H012	During the last 6 months before you were arrested the last time, how often did you consume inhalers such as thinner, adhesive, glue-sniffer or any stimulant?	Every day Three times a week Once a week Once every two weeks Once a month Less than once a month Did not consume any inhalers on the last six months before I was arrested I have not consumed inhalers outside the prison Prefer not to answer	1 2 3 4 5 6 7 8 88	Only ask question if H001=3		

H013	During the last 6 months before you were arrested the last time, how often did you consume cocaine or crack?	<p>Every day 1</p> <p>Three times a week 2</p> <p>Once a week 3</p> <p>Once every two weeks 4</p> <p>Once a month 5</p> <p>Less than once a month 6</p> <p>Did not consume any cocaine or crack on the last six months before I was arrested 7</p> <p>I have not consumed cocaine or crack outside the prison 8</p> <p>Prefer not to answer 88</p>	Only ask question if H001=4		
H014	During the last 6 months before you were arrested the last time, how often did you consume pills	<p>Every day 1</p> <p>Three times a week 2</p> <p>Once a week 3</p> <p>Once every two weeks 4</p> <p>Once a month 5</p> <p>Less than once a month 6</p> <p>Did not consume any pills on the last six months before I was arrested 7</p> <p>I have not consumed pills outside the prison 8</p> <p>Prefer not to answer 88</p>	Only ask question if H001=5		
H015	During the last 6 months before you were arrested the last time, how often did get drugs injected?	<p>Every day 1</p> <p>Three times a week 2</p> <p>Once a week 3</p> <p>Once every two weeks 4</p> <p>Once a month 5</p> <p>Less than once a month 6</p> <p>Did not get drugs injected on the last six months before I was arrested 7</p> <p>I have not gotten drugs injected outside the prison 8</p> <p>Prefer not to answer 88</p>	<p>Skip H015a</p> <p>Skip H015a and H016, H016a</p>		
H015a	During the last six months outside of prison, which drugs did you get injected? You may select several options	<p>Heroin 1</p> <p>Cocaine or crack 2</p> <p>Meth and Crystal 3</p> <p>Alcohol 4</p> <p>Other 5</p> <p>Prefer not to answer 8</p>			
H016	Outside of prison, have you ever shared the syringe you used to get drugs injected?	<p>Yes 1</p> <p>No 2</p> <p>Prefer not to answer 8</p>	Skip H016a		

H016a	Outside of prison, the last time that you shared the syringe you used to get drugs injected, approximately, how many people used the same syringe without disinfecting it before you did?	NUMERIC KEYPAD People I disinfect it with chlorine before I used it Prefer not to answer	99 88	Apply only if H06 = Yes	Rank 1 -96	
-------	---	--	----------	-------------------------	------------	--

H017	During the last six months outside of prison before you were arrested the last time, how often did you get injected with Vitamins or Nutritional supplements?	Every day Three times a week Once a week Once every two weeks Once a month Less than once a month Did not get injected with vitamins or nutritional supplements on the last six months before I was arrested I have not gotten injected with vitamins or nutritional supplements outside the prison Prefer not to answer	1 2 3 4 5 6 7 8 88	Apply only if H009 = Yes Skip H018		
------	---	--	--	---	--	--

H018	Outside of prison, have you ever shared the syringe you used to get vitamins or nutritional supplements injected?	Yes No Prefer not to answer	1 2 8			
------	---	-----------------------------------	-------------	--	--	--

Drug and Alcohol usage inside the prison

NOTH2B	The following questions are related to the occasions that you consume substances INSIDE the prison. Remember that your answers are confidential.			Only show note if H001g=0 or (h007=1 or H007=8)		
--------	--	--	--	---	--	--

H019	During this last month inside the prison, how often did you consume alcoholic beverages?	Every day Three times a week Once a week Once every two weeks Once a month Did not consume any alcohol on the last month inside the prison I have not consumed alcohol inside the prison Prefer not to answer	1 2 3 4 5 6 7 8	Only ask this question if H001 = 1		
------	--	--	--------------------------------------	------------------------------------	--	--

H020	During this last month inside the prison, how often did you consume marihuana?	Every day Three times a week Once a week Once every two weeks Once a month Did not consume marihuana on the last month inside the prison I have not consumed	1 2 3 4 5 6 7	Only ask this question if H001 = 2		
------	--	--	---------------------------------	------------------------------------	--	--

		marihuana inside the prison Prefer not to answer	8			
H021	During this last month inside the prison, how often did you consume inhalers such as thinner, adhesive, glue-sniffer or any stimulant?	Every day Three times a week Once a week Once every two weeks Once a month Did not consume inhalers on the last month inside the prison I have not consumed inhalers inside the prison Prefer not to answer	1 2 3 4 5 6 7 8	Only ask this question if H001 = 3		
H022	During this last month inside the prison, how often did you consume cocaine or crack?	Every day Three times a week Once a week Once every two weeks Once a month Did not consume cocaine or crack on the last month inside the prison I have not consumed cocaine or crack inside the prison Prefer not to answer	1 2 3 4 5 6 7 8	Only ask this question if H001 = 4		
H023	During this last month inside the prison, how often did you consume pills?	Every day Three times a week Once a week Once every two weeks Once a month Did not consume pills on the last month inside the prison I have not consumed pills inside the prison Prefer not to answer	1 2 3 4 5 6 7 8	Only ask this question if H001 = 5		
H023a	During this last month inside the prison, how often did you consume heroine?	Every day Three times a week Once a week Once every two weeks Once a month Did not consume cocaine on the last month inside the prison I have not consumed cocaine inside the prison Prefer not to answer	1 2 3 4 5 6 7 8	Only ask this question if H001 = 6		
H024	During this last month inside the prison, how often did get drugs injected?	Every day Three times a week Once a week Once every two weeks Once a month Did not get drugs injected on the last month inside the prison I have not gotten drugs	1 2 3 4 5 6 7	Skip H024a SKIP H024a,		

		injected inside the prison Prefer not to answer	8	H025, H025a		
H024a	During this last month inside the prison, which drugs did you get injected? You may select several options	Heroin Cocaine or crack Meth and Crystal Alcohol Other Prefer not to answer	1 2 3 4 5 8			
H025	Being inside the prison, have you ever shared the syringe you used to get drugs injected?	Yes No Prefer not to answer	1 2 8	Skip H025A		
H025a	Inside the prison, the last time that you shared the syringe you used to get drugs injected, approximately, how many people used the same syringe without disinfecting it before you did?	NUMERIC KEYPAD People I disinfecting it with chlorine before I used it Prefer not to answer	99 98	Only apply if H025 = Yes	Rank 1-96	
H026	During this last month inside the prison, how often did you get injected with Vitamins or Nutritional supplements?	Every day Three times a week Once a week Once every two weeks Once a month Did not get vitamins or supplements injected on the last month inside the prison I have not gotten vitamins or supplements injected inside the prison Prefer not to answer	1 2 3 4 5 6 7 8			
H027	During this last month inside the prison, have you shared the syringe you used to get vitamins or nutritional supplements injected	Yes No Prefer not to answer	1 2 8			
NOTH4	Now, we will ask you some questions about the person with whom you spend the most time here in prison.					
H028	During this last month, did the person you hang out with most inside the prison, consume alcoholic beverages?	Yes No I don't know Prefer not to answer	1 2 9 8	Skip H029		
H029	During this last month, how often did the person you hang out with most inside the prison, consume alcoholic beverages?	Every day Three times a week Once a week Once every two weeks Once a month Prefer not to answer	1 2 3 4 5 8			
H030	During this last month, did the person you hang out with most inside the prison, consume inhalers such	Yes No	1 2	Skip H031		

	as thinner, adhesive, glue-sniffer or any stimulant?	I don't know Prefer not to answer	9 8			
H031	During this last month, how often did the person you hang out with most inside the prison, consume inhalers such as thinner, adhesive, glue-sniffer or any stimulant?	Every day Three times a week Once a week Once every two weeks Once a month Prefer not to answer	1 2 3 4 5 8			
H032	During this last month, has the person you hang out with most inside the prison, consumed pills? We are referring to pills not prescribed by the doctor, and that are used to fill stoned.	Yes No I don't know Prefer not to answer	1 2 9 8	Skip H033		
H033	During this last month, how often did the person you hang out with most inside the prison, consume pills?	Every day Three times a week Once a week Once every two weeks Once a month Prefer not to answer	1 2 3 4 5 8			
H034	During this last month, has the person you hang out with most inside the prison, gotten drugs injected?	Yes No I don't know Prefer not to answer	1 2 9 8	Skip H035 and H036		
H035	During this last month, how often has the person you hang out with most inside the prison, gotten drugs injected?	Every day Three times a week Once a week Once every two weeks Once a month Less than once a month Prefer not to answer	1 2 3 4 5 6 8			
H036	During this last month, did the person you hang out with most inside the prison, shared the syringe he used to get drugs injected?	Yes No I don't know Prefer not to answer	1 2 9 8			

I	<p>Sexual Behavior</p> <p>In this Section we will ask you if you had sex. First we will ask you some general questions and then we will divide the questions to find out about your activities inside and outside the prison. To better understand ourselves in the following, "vaginal sex" means to put the penis into the vagina, and "anal sex" is when a man puts his penis into the anus of a woman or man. When we say "oral sex" is when someone licks, kisses or sucks the penis or vagina of someone else.</p>				
I001	How old were you, when you had vaginal or anal sex for the first time?	<p>NUMERIC KEYPAD</p> <p>Years</p> <p>I have never had vaginal nor anal sex</p> <p>Prefer not to answer</p>	<p>99</p> <p>98</p>	<p>Go to a random module</p> <p>If he choose this answer, open 0 on 1001a</p>	Rank 1-96
I001a (Before I057)	In your life, with how many people have you had vaginal, anal or oral sex inside and outside the prison?	<p>NUMERIC KEYPAD</p> <p>Prefer not to answer</p>	998	If it is 0 or 998 go to a random module	Rank 1-996
I001b	Of those "1001a value" people, with whom you had sex in your life inside or outside the prison, how many of them were women?	<p>NUMERIC KEYPAD</p> <p>Women</p> <p>Prefer not to answer</p>	998	If I001a=I001b, Skip I001c and I001d	Rank 1-1001a
I001c	How old were you when you had sex with a man for the first time?	<p>NUMERIC KEYPAD</p> <p>Years</p> <p>Prefer not to answer</p>	98	Just do it if I001a>I001b	Rank 1-96
I001d	In all your life, where had you had sex with a man?	<p>Inside and Outside the prison</p> <p>Only inside the prison</p> <p>Only outside the prison</p> <p>Prefer not to answer</p>	<p>1</p> <p>2</p> <p>3</p> <p>8</p>	<p>Just do it if I001a>I001b</p> <p>If I001a=I001b, Skip I003B</p>	
	Sexual Behavior outside the prison			If E003 >5 years, skip I002-I022 meaning, go to NOT106	
	Now, we will ask you some questions about the people to whom you had vaginal, anal or oral sex outside the prison				
I001e (before I004)	Before you were arrested this last time, with how many people had you had sex outside the prison all your life?	<p>NUMERIC KEYPAD</p> <p>I had never had sex outside</p>	999		Rank 1-996

		the prison Prefer not to answer	988	Go to NOT108		
I002	Before you entered the prison this last time, how long had it been since you had oral, vaginal or anal sex for the last time?	Less than 30 days before entering the prison Between one and six months before entering the prison More than six months before entering the prison Prefer not to answer	1 2 3 8	Skip I003, I003a, I003b, I004 If this answer was chosen, open up 0 on I003		
I003	During the last 6 months before you were arrested this last time, with how many people did you have vaginal, anal or oral sex? If you spent less than six months between the last time you were released and the day you were arrested the last time, please answer the following questions based on that period of time that you spent outside of prison.	NUMERIC KEYPAD Prefer not to answer	888	If = 1, skip I003B		
I003a	Of these (value I003) people you had sex with during the last 6 months that you spent outside of prison, before you were arrested this last time, with how many of them did you have vaginal, anal, or oral sex without a condom at least once?	Outside the prison, I always use condom with my partners Prefer not to answer	999 998			
I003b	Of these *I003 value* people you had sex with the last 6 months before you were arrested this last time, with how many of them did you have sex regularly? By saying "regularly" we refer to having sex or sexual relations frequently and without payment	NUMERIC KEYPAD Prefer not to answer	88			Rank 0 to I003
I004	Of these *I003 value* people you had sex with during the last 6 months you spent outside of prison, how many of them were women?	I did not have sex with women during that period Prefer not to answer	999 998			One to I003
NOT105	Now, we are going to ask you about the last three times that you had sex outside the prison, before you were arrested the last time.					
I005_id	Think about the last time you had oral, anal or vaginal sex, meaning the most recent time outside the prison. Please choose three letters to identify the person to whom you will indicate to us may be the initials of that person or any other three letters that you choose, the important aspect is that you remember to whom we are referring when we use them in the next questions	_ _ _ Prefer not to answer	881	3 Characters width, if possible automatically Capital letter On I005-I005e use "the person of that last time"		

1005	Is 1005_id man or woman?	Woman Man Prefer not to answer	1 2 8			
1005b	Which of the following options describes best your relation with 1005_id?	Wife Partner with whom I live Formal partner that did not live with me (girlfriend or boyfriend) Lover that did not live with me Friend Acquaintance Someone with whom I had sex once or a few times without exchanging money or favors Someone to whom I gave money or favors in exchange for sex Someone who gave me money or favors in exchange for sex Prefer not to answer	1 2 3 4 5 6 7 8 9 88			
1005c	Before you were arrested the last time, and being as specific as possible, how many days, months or years did you had sex that last time?	NUMERIC KEYPAD Days before the detention NUMERIC KEYPAD Months before the detention NUMERIC KEYPAD Years before the detention Prefer not to answer	88			Rank 0 – 29 Rank 0 – 11 Rank 0 - Age
1005d	The day you had sex the last time outside of prison, how many days, months or years did you had sex with (1005_id), meaning, how long did your last relationship last?	NUMERIC KEYPAD Days NUMERIC KEYPAD Months NUMERIC KEYPAD Years I only had sex once with that person Prefer not to answer	99 88	Skip 1005e		Rank <30 Rank <12 Rank <Age
1005e	During your relationship with (1005_id) before you were arrested the last time, on average, how often did you have sex with that person?	Twice or more times a week Once a week One to three times a month Less than once a month Prefer not to answer	1 2 3 4 8			
1006	What kind of sex did you have the last time outside the prison?	Vaginal Anal Oral Prefer not to answer	1 2 3 8	If 1005 = Man, do not present option 1 "vaginal"		
1006a	That last time you had anal sex with that man outside of prison, what did you do?	I penetrated him (I put my penis in his anus) He penetrated me (He put his	1 2	Just make this question if 1005 = man and 1006 =		

		penis in my anus) I penetrated him and he penetrated me also Prefer not to answer	3 8	anal		
I007	This last time you had sex outside of prison, did you both use condoms?	Yes No Prefer not to answer	1 2 8	Skip Next		
I008	That last time you had sex without a condom outside the prison; did you have a condom around?	Yes No Prefer not to answer	1 2 8			
I009	This last time you had sex outside of prison, were you or your partner under the effects of alcohol or any other drug?	None of us Only I consumed drugs or alcohol Only my partner consumed drugs or alcohol Both of us consumed drugs or alcohol Prefer not to answer	0 1 2 3 8			
I010	Besides that last time, have you had sex outside the prison one or more other times?	No Yes, once Yes, more than once Prefer not to answer	0 1 2 8	Go to NOT108 Skip I017_id to I028B2		
I0011_id	Think about the second to the last time you had oral, vaginal or anal sex outside the prison, with whom was it? If it was the same person about whom you just told us, press the bottom with the initials. If it was another person, please select another three letters to identify the person you had sex that time The important aspect is that you remember to whom we are referring when we use them in the next questions This letters that you choose must be different from the ones you use before	_ _ _ *I005_id* Prefer not to answer	88	If =I005_id, got to I012 3 Characters width, =I005_id if possible automatically Capital letter For I011 – I011e use "the person of the last but one time"		
I011	Is 2*I0011_id*_id man or woman?	Woman Man Prefer not to answer	1 2 8			
I011a	That second to the last time you had sex outside of prison, was it voluntarily or by forced?	Voluntarily That person forced me I forced that person Prefer not to answer	1 2 3 8			
I011b	Which of the following options describes best your relation with (I011_id)?	Wife Partner with whom I live Formal partner that did not live with me (girlfriend or boyfriend)	1 2 3			

		Lover that did not live with me Friend Acquaintance Someone with whom I had sex once or a few times without exchanging money or favors Someone I gave money or favors in exchange for sex Someone who gave me money or favors in exchange for sex Prefer not to answer	4 5 6 7 8 9 88			
I011c	Before you were arrested the last time, and being as specific as possible, how many days, months or years ago did you had sex that second to the last time?	NUMERIC KEYPAD Days before the detention NUMERIC KEYPAD Months before the detention NUMERIC KEYPAD Years before the detention Prefer not to answer	88			Rank 0-29 Rank 0-11 Rank 0-Age
I011d	The day you had sex that second to the last time outside of prison, how many days, months or years ago did you had sex with (I011_id, meaning, how long did that relationship last? Please, fill in the three boxes to continue	NUMERIC KEYPAD Days NUMERIC KEYPAD Months NUMERIC KEYPAD Years I only had sex once with that person Prefer not to answer	99	Skip I011e		Rank 0-29 Rank 0-11 Rank 0-Age
I011e	During your relationship with (I011_id) before you were arrested the last time, on average, how often did you have sex with that person?	Twice or more times a week Once a week One to three times a month Less than once a month Prefer not to answer	1 2 3 4 8			
I012	What kind of sex did you have that second to the last time outside the prison?	Vaginal Anal Oral Prefer not to answer	1 2 3 8			
I012a	That last time you had anal sex with that man outside of prison, what did you do?	I penetrated him (I put my penis in his anus) He penetrated me (He put his penis in my anus) I penetrated him and he penetrated me also Prefer not to answer	1 2 3 8	Only make this question if a) I011_id=I005id & I005=Man & I006=Anal b) I011=Hombre & I012=Anal		
I013	This second to the last time you had sex outside of prison, did you both use condoms?	Yes No Prefer not to answer	1 2 8	Skip next		

I014	This second to the last time you had sex without a condom outside the prison; did you have a condom around?	Yes	1			
		No	2			
		Prefer not to answer	8			

I015	This second to the last time you had sex outside of prison, were you or your partner under the effects of alcohol or any other drug?	None of us	0			
		Only I consumed drugs or alcohol	1			
		Only my partner consumed drugs or alcohol	2			
		Both of us consumed drugs or alcohol	3			
		Prefer not to answer	8			

Do not ask I016

I017_id	<p>Think about the third from the last time you had oral, vaginal or anal sex outside the prison, with whom was it?</p> <p>If it was the same person about whom you told us, press the bottom with the initials.</p> <p>If it was another person, please select another three letters to identify the person you had sex that time</p> <p>The important aspect is that you remember to whom we are referring when we use them in the next questions</p> <p>This letters that you choose must be different from the ones you use before</p>	<p>_ _ _ _ _ *I005_id* If I005_id≠I011_id: *I011_id*</p> <p>Prefer not to answer</p>	883	<p>If=I005_id ó I011_id go to I019</p> <p>3 Characters width must be ≠I005_id ≠ I011_id. If possible automatically Capital letter</p> <p>On I018-I018e use "the third person from last time"</p>			
---------	--	---	-----	--	--	--	--

I018	Is *I017_id* man or woman?	Woman	1			
		Man	2			
		Prefer not to answer	8			

I018a	That third from last time you had sex outside of prison, was it voluntarily or by force?	Voluntarily	1			
		That person forced me	2			
		I forced that person	3			
		Prefer not to answer	8			

I018b	Which of the following options describes best your relation with (I017_id)?	Wife	1			
		Partner with whom I live with	2			
		Formal partner that did not live with me (girlfriend or boyfriend)	3			
		Lover that did not live with me	4			
		Friend	5			
		Acquaintance	6			
		Someone with whom I had sex once or a few times without exchanging money or favors	7			
		Someone I gave money or favors in exchange for sex	8			
		Someone who gave me	9			

		money or favors in exchange for sex Prefer not to answer	88			
I018c	Before you were arrested the last time, and being as specific as possible, how many days, months or years ago did you had sex that third from the last time?	NUMERIC KEYPAD Days before the detention NUMERIC KEYPAD Months before the detention NUMERIC KEYPAD Years before the detention Prefer not to answer	88			Rank 0-29 Rank 0-11 Rank 0-Age
I018d	The day you had sex the third from the last time outside of prison, how many days, months or years ago did you had sex with (I017_id, meaning, how long did your relationship last? Please, fill in the three boxes to continue	NUMERIC KEYPAD Days NUMERIC KEYPAD Months NUMERIC KEYPAD Years I only had sex once with that person Prefer not to answer	99	Skip I017e		Rank 0-29 Rank 0-11 Rank 0-Age
I018e	During your relationship with (I017_id) before you were arrested the last time, on average, how often did you have sex with that person?	Twice or more times a week Once a week One to three times a month Less than once a month Prefer not to answer	1 2 3 4 8			
I019	What kind of sex did you have the third from the last time outside the prison?	Vaginal Anal Oral Prefer not to answer	1 2 3 8			
I019a	That third from the last time you had anal sex with that man outside of prison, what did you do?	I penetrated him (I put my penis in his anus) He penetrated me (He put his penis in my anus) I penetrated him and he penetrated me also Prefer not to answer	1 2 3 8	Only make this question if a) I017_id=I005_id & I005=Man & I006=Anal b) I017_id=I011_id & I011=Man & I012=Anal c) I018=Man & I019=Anal		
I020	This third from the last time you had sex outside of prison, did you both use condoms?	Yes No Prefer not to answer	1 2 8	Skip next		
I021	This third from the last time you had sex without a condom outside the prison; did you have a condom around?	Yes No Prefer not to answer	1 2 8			
I022	This third from the last time you had sex outside of prison, were you or your partner under the effects of alcohol or any other drug?	None of us Only I consumed drugs or alcohol	0 1			

		Only my partner consumed drugs or alcohol Both of us consumed drugs or alcohol Prefer not to answer	2 3 8			
NOT106	Now we will like to know about other people with whom you had had sex during the time you have been outside of prison					
I023	During the time you have been outside of prison; have you ever paid money to have oral, anal or vaginal sex?	Yes No Prefer not to answer	1 2 8	Skip next 2 Skip next 2		
I024	During the time you have been outside of prison, approximately how many times have you paid to have oral, vaginal or anal sex?	NUMERIC KEYPAD Prefer not to answer				One-300 88
I025	During the time you have been outside of prison, the person or people you paid to have sex were?	Women Men Women and men Prefer not to answer	1 2 3 8	Do not allow if I024=1		
I026	During the time you have been outside of prison, have you been paid to have oral, anal or vaginal sex?	Yes No Prefer not to answer	1 2 8	Skip next 2 Skip next 2		
I027	During the time you have been outside of prison, approximately how many times have you been paid to have oral, vaginal or anal sex?	NUMERIC KEYPAD Prefer not to answer				One-1000 88
I028	During the time you have been outside of prison, the person or people who paid you to have sex were?	Women Men Women and men Prefer not to answer	1 2 3 8	Do not allow if I024=1		
I028A	During your entire life outside the prison, has anyone forced you physically or in any other way to have sex?	Yes No Prefer not to answer	1 2 8	Skip I028A1 and I028A2		
I028A1	During your entire life outside the prison, how many times have you been forced to have oral, vaginal or anal sex?	NUMERIC KEYPAD Times Prefer not to answer		Just ask if I028A=1 or I028A=8		Rank 1-96 98
I028A2	During your entire life outside the prison, the person or people who forced you to have sex were?	Men	1			

		Women	2			
		Men and women	3	Do not allow if I028A1=1		
		Prefer not to answer	8			
I028B	During your entire life outside the prison, have you physically or in any other way forced someone else to have oral, anal or vagina sex?	Yes	1			
		No	2	Skip I028B1 and I028B2		
		Prefer not to answer	8			
I028B1	During your entire life outside the prison, how many times have you forced someone to have oral, vaginal or anal sex?	NUMERIC KEYPAD Times		Just ask if I028B=1 ó I028B=8		Rank 1-96
		Prefer not to answer	98			
I028B2	During your entire life outside the prison, the person or people you forced to have sex were?	Men	1			
		Women	2			
		Men and women	3	Do not allow if I028B1=1		
		Prefer not to answer	8			
	Sexual behavior inside the prison					
NOT08	In the following section, we will ask you about the last people with whom you have had oral, vaginal or anal sex inside the prison					
I029	Since you were arrested this last time, with how many people have you had oral, vaginal or anal sex	NUMERIC KEYPAD I have never had sex inside the prison				Rank 1-996
		Prefer not to answer	999 998	Go to a random module		
I030	Since you were arrested this last time, how long has it been since you had oral, vaginal or anal sex?	Less than 30 days	1			
		Between one and six months	2			
		More than six months	3			
		Prefer not to answer	8			
I031	Think about the *value I029* people with whom you have had sex since you were arrested this last time, how many of them were women?	NUMERIC KEYPAD I have not had sex since I was arrested				Rank: <=I029
		Prefer not to answer	999 998			
I032	Currently, do you have a registered or authorized partner for conjugal visits?	Yes	1			
		No	2	Skip I033a and I033b		
		Prefer not to answer	8			
I033a	Of woman with whom you have had sex since you were arrested this last time, is the person registered for you conjugal visits?	Yes	1	Just ask if I031=1		
		No	2			
		Prefer not to answer	8			

I033b	Of this *Value I031* women with whom you had sex since you were arrested this last time, with how many of them do you have sex usually? By "usually" we mean that you have frequent sex with that person and without payment	NUMERIC KEYPAD Prefer not to answer	88	Just ask if I031>1		Less or equal 10
I034a	Is the man with whom you had sex since you were arrested, a regular partner?	Yes No Prefer not to answer	1 2 8	Just ask if I029-I031=1		
I034b	Of this *Value I029-I031* men with whom you had sex since you were arrested this last time, with how many of them do you have sex usually? By "usually" we mean that you have frequent sex with that person and without payment	NUMERIC KEYPAD Prefer not to answer	88	Just ask if I029-I031>1		
NOT109	Now we are going to ask you about the last three times you have had sex inside the prison since you were arrested					
Do not ask I0035						
I036_id	Think about the last time you had oral, anal or vaginal sex, meaning the most recent time inside the prison. With whom was it? If it was the same person about whom you told us, press the bottom with the initials. If it was another person, please select another three letters to identify the person you had sex that time This letters that you choose must be different from the ones you use before	_ _ _ *I005_id* if I005_id≠I011_id: *I011_id* if I005_id≠I011_id ≠I017_id: *I017_id*	884	if=I005_id ó I011_id ó I017_id go to I037		On I036-I036g use "the person of that last time" instead of value
I036	Is ¿I036_id* man or woman?	Woman Man Prefer not to answer	1 2 8			
I036a	That last time you had sex since you were arrested, was it voluntarily or by force?	Voluntarily That person forced me I forced that person Prefer not to answer	1 2 3 8			
I036b	Which of the following options describes best your relation with (I036_id)?	Wife Partner with whom I live with Formal partner that did not live with me (girlfriend or boyfriend) Lover that did not live with me Friend Acquaintance Someone with whom I had sex once or a few times without exchanging money	1 2 3 4 5 6 7			

		or favors Someone I gave money or favors in exchange for sex Someone who gave me money or favors in exchange for sex Prefer not to answer	8 9 88			
1036c1	Is (1036_id) the person registered for your conjugal visits?	Yes No Prefer not to answer	1 2 8	Skip 1036c2-d2		
1036c2	Is (1036_id) a person that came to visit?	Yes No Prefer not to answer	1 2 8	Skip 1036d1 and d2		
1036d1	Does (1036_id) sleep in the same cell with you?	Yes No Prefer not to answer	1 2 8			
1036d2	Does (1036_id) get conjugal visits or have another partner to have sex outside the prison?	Yes No I do not know Prefer not to answer	1 2 9 8			
1036e	Being as specific as possible, how many days, months or years ago did you had sex this last time?	NUMERIC KEYPAD Days NUMERIC KEYPAD Months NUMERIC KEYPAD Years Prefer not to answer	88			Rank 0-29 Rank 0-11 Rank 0- E003years
1036f	The day you had sex this time in prison, how many days, months or years ago did you had sex with (1036_id), meaning, how long did your relationship last?	NUMERIC KEYPAD Days NUMERIC KEYPAD Months NUMERIC KEYPAD Years I only had sex once with that person Prefer not to answer	99 88	Skip 1036g		Rank 0-29 Rank 0-11 Rank 0-Age
1036g	During your relationship with (1036_id), on average, how often did you have sex with that person?	Twice or more times a week Once a week One to three times a month Less than once a month Prefer not to answer	1 2 3 4 8			
1037	What kind of sex did you have that last time inside the prison? You may select several options.	Vaginal Anal Oral Prefer not to answer	1 2 3 8			

I037a	That last time you had anal sex with this man inside the prison, what did you do?	I penetrated him (I put my penis in his anus) He penetrated me (He put his penis in my anus) I penetrated him and he penetrated me also Prefer not to answer	1 2 3 8	Only make this question if a) I036_id=I005_id & I036=Man & I006=Anal or b) I036_id=I011_id & I011=Man & I012=Anal or c) I036_id=I017_id & I018=Man & I019=Anal; or I036=Man & I037=Anal		
I038	This last time you had sex inside the prison, did you both use condoms?	Yes No Prefer not to answer	1 2 8	Skip next		
I039	This last time you had sex without a condom inside the prison; did you have a condom around?	Yes No Prefer not to answer	1 2 8			
I040	This last time you had sex inside of prison, were you or your partner under the effects of alcohol or any other drugs?	None of us Just me had consume drugs or alcohol Just my partner had consume drugs or alcohol Both of us had consume drugs or alcohol Prefer not to answer	0 1 2 3 8			
I041	Besides this last time, have you had sex on one or more occasions since the last time you were arrested?	No Yes, once Yes, more than once Prefer not to answer	0 1 2 8	Skip I042-I053 Skip I048-I053		
I042	QUESTION ELIMINATED					
I043_id	Think about the second to the last time you had oral, anal or vaginal sex, meaning the most recent time inside the prison. With whom was it? If it was the same person about whom you told us, press the bottom with the initials. If it was another person, please select another three letters to identify the person you had sex that time This letters that you choose must be different from the ones you use before	_ _ _ *I005_id* If I005_id≠I011_id: *I011_id* If I005_id≠I011_id ≠I017_id: *I017_id* If I005_id≠I011_id ≠I017_id≠I036_id: *I036_id* Prefer not to answer	885	If= I005_id or I011_id or I017_id or I036_id go to I044 On I043-I043 use "the person of that last but one time"		
I043	Is ı*I043_id*_id man or woman?	Woman Man Prefer not to answer	1 2 8			

I043a	That last time you had sex inside the prison, was it voluntarily or by force?	Voluntarily	1			
		That person forced me	2			
		I forced that person	3			
		Prefer not to answer	8			

I043b	Which of the following options describes best your relation with (I043_id)?	Wife	1			
		Partner with whom I live with	2			
		Formal partner that did not live with me (girlfriend or boyfriend)	3			
		Lover that did not live with me	4			
		Friend	5			
		Acquaintance	6			
		Someone with whom I had sex once or a few times without exchanging money or favors	7			
		Someone I gave money or favors in exchange for sex	8			
		Someone who gave me money or favors in exchange for sex	9			
		Prefer not to answer	88			

Just ask I043c1 if I032=1

I043c1	Is (I043_id) the person registered for your conjugal visits?	Yes	1	Skip I043c2-I043d2		
		No	2			
		Prefer not to answer	8			

I043c2	Is (I043_id) a person that came to visit?	Yes	1	Skip I043d1 and I043d2		
		No	2			
		Prefer not to answer	8			

I043d1	Does (I043_id) sleep in the same cell with you?	Yes	1			
		No	2			
		Prefer not to answer	8			

I043d2	Does (I043_id) get conjugal visit or have another partner to have sex with outside the prison?	Yes	1			
		No	2			
		I do not know	9			
		Prefer not to answer	8			

I043e	Being the as specific as possible, how many days, months or years ago did you had sex this last time?	NUMERIC KEYPAD				Rank 0-29
		Days				Rank 0-11
		NUMERIC KEYPAD				Rank 0-E003years
		Months				
		NUMERIC KEYPAD				
		Years				
		Prefer not to answer	88			

I043f	The day you had sex this second to the last time in prison, how many days, months or years ago did you had sex with (I043_id), meaning, how long did your relationship last?	NUMERIC KEYPAD				Rank 0-29
		Days				Rank 0-11
		NUMERIC KEYPAD				
		Months				

		NUMERIC KEYPAD Years I only had sex once with that person Prefer not to answer	99 88	Skip I043g		Rank 0-Age
I043g	During your relationship with (I043_id), on average, how often did you have sex with that person?	Twice or more times a week Once a week One to three times a month Less than once a month Prefer not to answer	1 2 3 4 8			
I044	What kind of sex did you have that second to the last time inside the prison? You may select several options.	Vaginal Anal Oral Prefer not to answer	1 2 3 8			
I044a	That last time you had anal sex with this man inside the prison, what did you do?	I penetrated him (I put my penis in his anus) He penetrated me (He put his penis in my anus) I penetrated him and he penetrated me also Prefer not to answer	1 2 3 8	Only make this question if a) I043_id=I005_id & I005=Man & I006=Anal or b) I043_id=I011_id & I011=Man & I012=Anal; or c) I043_id=I017_id & I018=Man & I019=Anal; or d) I043_id=I036_id & I036=Man & I037 = Anal; or e) I043=man & I044=Anal.		
I045	That second to the last time you had sex inside the prison, did you both use condoms?	Yes No Prefer not to answer	1 2 8	Skip next		
I046	This second to the last time you had sex without a condom inside the prison; did you have a condom around?	Yes No Prefer not to answer	1 2 8			
I047	This second to the last time you had sex inside of prison, were you or your partner under the effects of alcohol or any other drug?	None of us Only I consumed drugs or alcohol Only my partner consumed drugs or alcohol Both of us consumed drugs or alcohol Prefer not to answer	0 1 2 3 8			
I048	ELIMINATED					
I049_id	Think about the third from the last time you had oral, anal or vaginal sex, meaning the most recent time inside the prison. With whom was it? If it was the same person about whom you told us, press the bottom with the initials. If it was another person, please select another three letters to identify the person you had sex that	[_] [_] [_] *I005_id* If I005_id#I011_id: *I011_id* If I005_id#I011_id #I017_id: *I017_id* If I005_id#I011_id #I017_id#I036_id: *I036_id*		if= I005_id or I011_id or I017_id or I036_id go or I043_id go to I050		

	time This letters that you choose must be different from the ones you use before	if I005_id#I011_id #I017_id#I036_id#I043_id: *I043_id* Prefer not to answer	886	On I049-I049 use "the person of that third from last time"		
I049	Is ¿*I049_id*_id man or woman?	Woman Man Prefer not to answer	1 2 8			
I049a	That third from the last time you had sex inside the prison, was it voluntarily or by force?	Voluntarily That person forced me I forced that person Prefer not to answer	1 2 3 8			
I049b	Which of the following options describes best your relation with (I049_id)?	Wife Partner with whom I live with Formal partner that did not live with me (girlfriend or boyfriend) Lover that did not live with me Friend Acquaintance Someone with whom I had sex once or a few times without exchanging money or favors Someone I gave money or favors in exchange for sex Someone who gave me money or favors in exchange for sex Prefer not to answer	1 2 3 4 5 6 7 8 9 88			
Only ask I049c1 if I032=1						
I049c1	Is (I049_id) the person registered for your conjugal visits?	Yes No Prefer not to answer	1 2 8	Skip I049c2-I049d2		
I049c2	Is (I049_id) a person that came to visit?	Yes No Prefer not to answer	1 2 8	Skip I049d1 and I049d2		
I049d1	Does (I049_id) sleep in the same cell with you?	Yes No Prefer not to answer	1 2 8			
I049d2	Does (I049_id) get conjugal visit or have another partner to have sex with outside the prison?	Yes No I do not know Prefer not to answer	1 2 9 8			
I049e	Being as specific as possible, how many days, months or years ago did you had sex this third from	NUMERIC KEYPAD Days				Rank 0-29

	the last time?	NUMERIC KEYPAD Months NUMERIC KEYPAD Years Prefer not to answer	88			Rank 0-11 Rank 0- E003years
I049f	The day you had sex this third from the last time in prison, how many days, months or years ago did you had sex with (I049_id), meaning, how long did your relationship last?	NUMERIC KEYPAD Days NUMERIC KEYPAD Months NUMERIC KEYPAD Years I only had sex once with that person Prefer not to answer	99 88	Skip I043 g		Rank 0-29 Rank 0-11 Rank 0-Age
I049g	During your relationship with (I049_id), on average, how often did you have sex with that person?	Twice or more times a week Once a week One to three times a month Less than once a month Prefer not to answer	1 2 3 4 8			
I050 (Numeration changed)	What kind of sex did you have that third from last time inside the prison? You may select several options.	Vaginal Anal Oral Prefer not to answer	1 2 3 8			
I050a	That last time you had anal sex with this man inside the prison, what did you do?	I penetrated him (I put my penis in his anus) He penetrated me (He put his penis in my anus) I penetrated him and he penetrated me also Prefer not to answer	1 2 3 8	Only make this question if a) I049_id=I005_id & I005=Hombre & I006=Anal; or b) I049_id=I011_id & I011=Hombre & I012=Anal; or c) I049_id=I017_id & I018=Hombre & I019=Anal; or d) I049_id=I036_id & I036=Hombre & I037=anal; or e) I049_id=I043_id & I043=Hombre & I044=anal; or f) I049=Hombre & I050=anal.		
I051	That third from the last time you had sex inside the prison, did you both use condoms?	Yes No Prefer not to answer	1 2 8	Skip next		
I052	This third from the last time you had sex without a condom inside the prison; did you have a condom around?	Yes No Prefer not to answer	1 2 8			
I053	This third from the last time you had sex inside of	None of us	0			

	prison, were you or your partner under the effects of alcohol or any other drug?	Just me had consume drugs or alcohol Just my partner had consume drugs or alcohol Both of us had consume drugs or alcohol Prefer not to answer	1 2 3 8			
I054	During the time you have been in prison, have you done non-sexual favors or have you given protection, food or money to someone so that you could get oral, vaginal or anal sex?	Yes No Prefer not to answer	1 2 8	Skip I054a and I054b		
I054a	During the time you have been in prison, approximately how many times have you done non-sexual favors or have you given protection, food or money to someone so that you could get oral, vaginal or anal sex?	NUMERIC KEYPAD Times Prefer not to answer	998			Rank 1-996
I054b	During the time you have been in prison, the person or people you did non-sexual favors or gave food protection or money so that you could get oral, vaginal or anal sex, were?	Men Women Men and women Prefer not to answer	1 2 3 8	Do not allow if I054a=1		
I055	During the time you have been in prison, have you been given favors, protection, food or money to have sex?	Yes No Prefer not to answer	1 2 8	Skip I055a and I055b		
I055a	During the time you have been in prison, how many times have you been given favors, protection, food or money to have sex?	NUMERIC KEYPAD Times Prefer not to answer	998			Rank 1-996
I055b	During the time you have been in prison, the person or people who did favors or gave food protection or money to you for oral, vaginal or anal sex, were?	Men Women Men and women Prefer not to answer	1 2 3 8	Do not allow if I055a=1		
I056 Before on section J	During the time you have been in prison, has anyone physically or any other way forced you to have sex?	Yes No Prefer not to answer	1 2 8	Skip I056a and I056b		
I056a	During the time you have been in prison, how many times have you been forced to have oral, vaginal or oral sex?	NUMERIC KEYPAD Times Prefer not to answer	998			Rank 1-996

I056b	During the time you have been in prison, the person or people who physically or in any other way forced you to have sex, were?	Men Women Men and women Prefer not to answer	1 2 3 8	Do not allow if I056a=1		
I057 Before on section J	During the time you have been in prison, have you physically or any other way forced somebody to have oral, anal or vaginal sex?	Yes No Prefer not to answer	1 2 8	Skip I057a and I057b		
I057a	During the time you have been in prison, how many times have you forced somebody to have oral, vaginal or oral sex?	NUMERIC KEYPAD Times Prefer not to answer	998			Rank 1-996
I057b	During the time you have been in prison, the person or people who physically or in any other way you forced you to have sex, were?	Men Women Men and women Prefer not to answer	1 2 3 8	Do not allow if I057a=1		
FOLLOW WITH RANDOMIZED MODULES	SECTIONS J AND K PASES TO RANDOMED MODULES THEY WILL GET MARK WITH THE EXISTING QUESTIONS RECORDED					
M	Cardiovascular and Metabolic Risks Factors					
NOTM2	Physical Activity					
NOTM3	Here below you will find questions about physical activity or exercise you have done recently. Think about all those vigorous activities that you did in the last 7 days, including today. Vigorous activities are those requiring a strong physical effort and make your breath stronger than normal. Just include those activities that you have done for at least 10 minutes continuously.					
M001	During the last 7 days, how many days did you do vigorous activities, for example, lifting heavy objects, running, or playing a basketball games? If you did not do any vigorous activity, please mark "0"	NUMERIC KEYPAD Days Prefer not to answer	88	Maximum 7, if M001=0 go to M003		
M002	In total, how long did it usually take you to do those vigorous activities on one of those days that you did them?	Minutes per day NUMERIC KEYPAD Hours per day				

		NUMERIC KEYPAD			
		Prefer not to answer	88		
NOTM4	Think about all the moderate activities that you did in the last 7 days, including today. Moderate activities are those requiring a medium physical effort and make your breath a little stronger than normal. Just include those activities that you have done for at least 10 minutes continuously.				
M003	During the last 7 days, how many days did you do moderate activities, for example, lifting light objects, or playing soccer games in which you did not run a lot? If you did not do any vigorous activity, please mark "0"	NUMERIC KEYPAD Days Prefer not to answer	88	Maximum 7, if M003=0 go to M005	
M004	In total, how long did it usually take you to do those moderate activities on one of those days that you did them?	Minutes per day NUMERIC KEYPAD Hours per day NUMERIC KEYPAD Prefer not to answer	88		
NOTM5	Think about an activity like walking that you did in the last 7 days, including today. This includes, for example, cleaning up your room, walking to go to downtown, or any other walking that you did for recreation, exercise, or pleasure.				
M005	During the last 7 days, how many days did you walk for at least 10 minutes continuously? If you did not do any vigorous activity, please mark "0"	NUMERIC KEYPAD Days Prefer not to answer	88	Maximum 7, if M005=0 go to M007	
M006	Usually, how much time did you spend walking in one of those days?	Minutes per day NUMERIC KEYPAD Hours per day NUMERIC KEYPAD Prefer not to answer	88		
NOTM6	Last questions of this section refer to the time you spend sitting in the last 7 days, including today. This includes, for example, just sitting, working sitting, studying sitting and free time. This may also include time sitting at a desk, visiting friends, reading or watching tv.				
M007	During the last 7 days, how much time did you spend sitting on a typical day of the week?	NUMERIC KEYPAD			

	If you did not do any vigorous activity, please mark "0"	Days Prefer not to answer	88			
M007a	Considering all of the above categories, think about the last three months that you spent in freedom before you were arrested and also in the last three months inside the prison. Comparing those periods, your physical activity inside the prison is? If the last time you were released for less than three months or if you have been here for less time, answer based on those periods.	Greater to what I did before being placed in jail Equal to what I did before being placed in jail Lower to what I did before being placed in jail Prefer not to answer	1 2 3 88			
Alcohol and Tobacco Dependency						
NOTM8	The following questions refer to substances that a lot of people consume, but may affect the well function of their heart and other organs of the body. Please answer honestly, remember that your answers are anonymous and will be handled confidentially					
M008	Have you smoked at least 100 cigarettes during your entire life?	Yes No, I have smoked less than a 100 I have never smoked tobacco Prefer not to answer	1 2 3 8	Go to M012		
M009	Currently, do you smoke?	Yes No Prefer not to answer	1 2 8	Ask M010a and M011a Ask M010b and M011b Ask M010a and M011a		
M010a	How many cigarettes do you smoke daily?	NUMERIC KEYPAD Prefer not to answer	8	Maximum 80		
M010b	Before you quit smoking on average, how many cigarettes did you smoke daily?	NUMERIC KEYPAD Prefer not to answer	8	Maximum 80		
M011a	For how long have you been smoking regularly? If you have been smoking in less than a month, please mark "0".	Months NUMERIC KEYPAD Years NUMERIC KEYPAD Prefer not to answer	1 88			If A001=888 years<98 Rank<12 Rank<Age
M011b	During how long did you smoke regularly?	Months NUMERIC KEYPAD	1			If A001=888 years<98

	if you regularly smoked less than a month, please mark "0".	Years NUMERIC KEYPAD Prefer not to answer	88			Rank:<12 Rank:<Age
--	---	---	----	--	--	-----------------------

M012	During the last 30 days, how many times did you drink 5 glasses of any kind of alcohol in one day? If you did not drink 5 glasses of any alcohol in one day, please mark "0".	Times NUMERIC KEYPAD Prefer not to answer	88	Maximum 30		
------	--	---	----	------------	--	--

Eating habits						
---------------	--	--	--	--	--	--

NOTM9	The following questions refer to what you eat regularly in prison. First, we will ask you, what portion of your ration did you eat in the dining hall the last seven days					
-------	---	--	--	--	--	--

M013a1	YESTERDAY: BREAKFAST Please indicate what part of that daily ration you consumed in the dining hall.	SEE Options M013 A1-G3			Options for M013 a1-G3 Everything or almost everything More than a half Half Less than half Nothing or almost nothing Prefer not to answer	4 3 2 1 0 8
--------	---	------------------------	--	--	--	----------------------------

M013a2	YESTERDAY: MAIN MEAL Please indicate what part of that ration you consumed in the dining hall.	SEE Options M013 A1-G3				
--------	---	------------------------	--	--	--	--

M013a3	YESTERDAY: DINNER Please indicate what part of that ration you consumed in the dining hall.	SEE Options M013 A1-G3				
--------	--	------------------------	--	--	--	--

M013b1	THE DAY BEFORE YESTERDAY: BREAKFAST Please indicate what part of that ration you consumed in the dining hall.	SEE Options M013 A1-G3				
--------	--	------------------------	--	--	--	--

M013B2	THE DAY BEFORE YESTERDAY: MAIN MEAL Please indicate what part of that ration you consumed in the dining hall.	SEE Options M013 A1-G3				
--------	--	------------------------	--	--	--	--

M013b3	THE DAY BEFORE YESTERDAY: DINNER Please indicate what part of that ration you consumed in the dining hall.	SEE Options M013 A1-G3				
--------	---	------------------------	--	--	--	--

M013c1	THREE DAYS AGO: BREAKFAST Please indicate what part of that ration you consumed in the dining hall.	SEE Options M013 A1-G3				
--------	--	------------------------	--	--	--	--

M013c2	THREE DAYS AGO: MAIN MEAL Please indicate what part of that ration you consumed in the dining hall.	SEE Options M013 A1-G3				
--------	--	------------------------	--	--	--	--

M013c3	THREE DAYS AGO: DINNER	SEE Options M013 A1-G3				
--------	------------------------	------------------------	--	--	--	--

	Please indicate what part of that ration you consumed in the dining hall.					
M013d1	FOUR DAYS AGO: BREAKFAST Please indicate what part of that ration you consumed in the dining hall.	SEE Options M013 A1-G3				
M013d2	FOUR DAYS AGO: MAIN MEAL Please indicate what part of that ration you consumed in the dining hall.	SEE Options M013 A1-G3				
M013d3	FOUR DAYS AGO: DINNER Please indicate what part of that ration you consumed in the dining hall.	SEE Options M013 A1-G3				
M013e1	FIVE DAYS AGO: BREAKFAST Please indicate what part of that ration you consumed in the dining hall.	SEE Options M013 A1-G3				
M013e2	FIVE DAYS AGO: MAIN MEAL Please indicate what part of that ration you consumed in the dining hall.	SEE Options M013 A1-G3				
M013e3	FIVE DAYS AGO: DINNER Please indicate what part of that ration you consumed in the dining hall.	SEE Options M013 A1-G3				
M013f1	SIX DAYS AGO: BREAKFAST Please indicate what part of that ration you consumed in the dining hall.	SEE Options M013 A1-G3				
M013f2	SIX DAYS AGO: MAIN MEAL Please indicate what part of that ration you consumed in the dining hall.	SEE Options M013 A1-G3				
M013f3	SIX DAYS AGO: DINNER Please indicate what part of that ration you consumed in the dining hall.	SEE Options M013 A1-G3				
M013g1	SEVEN DAYS AGO: BREAKFAST Please indicate what part of that ration you consumed in the dining hall.	SEE Options M013 A1-G3				
M013g2	SEVEN DAYS AGO: MAIN MEAL Please indicate what part of that ration you consumed in the dining hall.	SEE Options M013 A1-G3				
M013g3	SEVEN DAYS AGO: DINNER Please indicate what part of that ration you consumed in the dining hall.	SEE Options M013 A1-G3				
M014	Does the dining hall offers meals at other hours, for example, at half morning or half afternoon?	Yes No	1 2			

M015	In terms of quantity, how satisfied are you with the meals you consume at the dining hall?	Very satisfied More or less satisfied Less satisfied Non-satisfied Prefer not to answer	3 2 1 0 8			
NOTM12	In general, how often do you eat any of the following items outside the dining hall?					
M016a	A bag of lays, potatoes chips, <i>churritos</i>	Drop-down M016		Options for M016 A-I Never 1 Once a month or less 2 Twice or three times a month or less 3 Once a week 4 Twice a week 5 Three or four times a week 6 Five or six times a week 7 Once a day 8 Twice or more times a day 9 Prefer not to answer 88		
M016b	A sandwich, a hamburger, a tamale, slice of pizza.	Drop-down M016				
M016c	An order of "tacos" from a stand (Approximately 3 "tacos").	Drop-down M016				
M016d	A "sope" or a "quesadilla".	Drop-down M016				
M016e	A chocolate or candy bar.	Drop-down M016				
M016f	A donut, slice of cake, two cookies.	Drop-down M016				
M016g	A portion of vegetables. (Do not include avocado, beans or potatoes)	Drop-down M016				
M016h	A portion of fruit. (Do not consider fruit juice).	Drop-down M016				
M016i	A medium size soda or bottled juice.	Drop-down M016				
M017	How do you get those additional items?	From my visits Buy them at the prison store Buy them to another intern Another way Prefer not to answer	1 2 3 4 8			
M018	Do you get a special dietary due to some disease?	Yes No	1 2	Go to Section G		

		Prefer not to answer	8			
MO19	What is the disease you have? Select only the ones that have been diagnosed by a doctor.	Diabetes High pressure Obesity High cholesterol High Triglycerides Other Prefer not to answer	1 2 3 4 5 6 8			
MO20	Who planned your diet?	Doctor Nurse Nutritionist Other person Prefer not to answer	1 2 3 4 8			

FOLLOW SECTION G

Instituto Nacional de Salud Pública (logo)					
Get tested: Your health is the challenge					
Module J, Violence – MAN					
Centro de Investigación en Evaluación y Encuestas					

Code: Do not include text or audio in application					
Every box indicates a screen unit Text outside of boxes must not be programmed In audio or creen.					
No. Of questions by section	Sections and questions. Instructions of the survey Explanations about the questions.	Answer options	Code	Indications for the programmer	Rank
J	Violence Childhood Violence				

Note J	The following refers to your experience with violence. First we will ask you about your childhood and then about your adult life inside and outside the prison. By violence or physical aggression we refer to non-accidental conduct that try to threaten or inflict physical harm such as beating with fist or objects, kicking, dragging, strangling, or threatening with weapons.			
J101	Before you turned 15 years old, did you notice if your father, stepfather, older brother, uncle, grandfather or another adult man that took care of you, physically attacked your mother or the woman who took care of you?	No Yes, once Yes, more than once Prefer not to answer	0 1 2 8	
J102	Before you turned 15 years old, did you notice if your father, stepfather, older brother, uncle, grandfather or another adult man that took care of you, shouted or threat your mother or the woman who took care of you?	No Yes, once Yes, more than once Prefer not to answer	0 1 2 8	
J103	Before you turned 15 years old, did you notice if your mother, stepmother, older sister, aunt, grandmother or another adult woman that took care of you, physically attacked your father or the man who took care of you?	No Yes, once Yes, more than once Prefer not to answer	0 1 2 8	
J104	Before you turned 15 years old, did you notice if your mother, stepmother, older sister, aunt, grandmother or another adult woman that took care of you, shouted or threat your father or the man who took care of you?	No Yes, once Yes, more than once Prefer not to answer	0 1 2 8	
J105	Before you turned 15 years old, did your father, stepfather, older brother, uncle, grandfather or another adult man that took care of you, physically attack you ever?	No Yes, once Yes, more than once Prefer not to answer	0 1 2 8	
J106	Before you turned 15 years old, did your mother, stepmother, older sister, aunt, grandmother or another adult woman that took care of you, physically attack you ever?	No Yes, once Yes, more than once	0 1 2	

		Prefer not to answer	8	
Violence inside the prison				
NOT J021	In this section we will ask you some questions about violent experiences since you entered the prison this last time			
J001	Since the last time you were arrested, has anyone physically attacked you causing you severe injuries?	No Yes, once Yes, twice Yes, three times Yes, four times Yes, five times Yes, more than five times Prefer not to answer	0 1 2 3 4 5 6 8	Go to J004
J002	When was the last time that someone physically attacked you inside the prison?	Less than seven days ago Less than fifteen days ago Less than thirty days ago Less than six months ago Six months ago or more Prefer not to answer	1 2 3 4 5 8	
J002a	The last time that someone physically attacked you causing you severe injuries, how many people participated in this attack against you?	Just one person Two people Three people Four people Five to 10 people More than 10 people Prefer not to answer	1 2 3 4 5 6 8	
J003	Besides this last time inside the prison, had the same person or people physically attacked you before?	Yes No Prefer not to answer	1 2 8	
J003a	The last time that someone attacked you causing you severe injuries, around what time of the day happened?	In the morning In the afternoon In the night Early morning Prefer not to answer	1 2 3 4 8	
J003b	The last time that someone physically attacked you causing you severe injuries, where was it?	In my cell In another cell of this dorm In another cell of another dorm In a bathroom In a yard In a dining hall In a visits hall Another place Prefer not to answer	1 2 3 4 5 6 7 8 88	
J004	During the time you have been in prison, have you physically attacked someone?	No Yes, once Yes, twice Yes, three times Yes, four times Yes, five times	0 1 2 3 4 5	Go to J001

		Yes, more than five times Prefer not to answer	6 88
J005	When was the last time that you physically attacked someone inside the prison?	Less than one week ago Between one or two weeks ago More than two weeks but less than a month ago Between one and six months ago More than six months ago Prefer not to answer	1 2 3 4 5 8
J005a	The last time that you physically attacked someone causing him severe injuries, how many people participated in this attack?	Only I I and one more I and two more I and three more We were between 5 to 10 people We were more than 10 people Prefer not to answer	1 2 3 4 5 6 8
J006	Before that time, had you physically attacked that same person inside the prison?	Yes No Prefer not to answer	1 2 8
J006a	The last time that you physically attacked someone causing him severe injuries, around what time of the day happened??	In the morning In the afternoon In the night Early morning Prefer not to answer	1 2 3 4 8
J006b	The last time that you physically attacked someone causing him severe injuries, where was it?	In my cell In another cell of this dorm In another cell of another dorm In a bathroom In a yard In a dining hall In a visits hall Another place Prefer not to answer	1 2 3 4 5 6 7 8 88
Jr01	Comparing yourself with other inmates, and according to the frequency of your aggressive acts that have caused severe injuries to someone, how do you consider yourself?	Less violent than other inmates As violent as other inmates More violent than other inmates Prefer not to answer	1 2 3 8
Jr02	Comparing yourself with other inmates, and according to the frequency of physical attacks you have received causing you severe injuries, how do you consider yourself?	I received less violence than other inmates I received the same violence as other inmates I received more violence than other inmates Prefer not to answer	1 2 3 8
Jr03	In general, How violent do you consider yourself?	Non-violent Some violent Moderately violent Fairly violent Very violent Prefer not to answer	1 2 3 4 5 8

Jr04	Thinking about the time you were outside the prison before you were arrested this last time, have you ever physically attacked anyone causing him/her severe injuries?	No Yes, once Yes, twice Yes, three times Yes, four times Yes, five times Yes, more than five times Prefer not to answer	0 1 2 3 4 5 6 8
------	--	--	--------------------------------------

Instituto Nacional de Salud Pública (logo)				
Get tested: Your health is the challenge - MAN				
Centro de Investigación en Evaluación y Encuestas				
Code: Do not include text or audio in application				
Every box indicates an screen unit Text outside of boxes must not be programmed in audio or screen.				
No. of questions by section	Sections and questions. Instructions of the survey. Explanations about the questions.	Answers options	Code	Indications for the Programmer
K Self control				
Now we are going to ask you some questions about your personality. Please answer how often the following things happen.				
Impulsiveness				
K001	I spend time and effort planning the future.	Never Rarely Sometimes Frequently Almost always	0 1 2 3 4	
K002	I do things by impulse, without thinking about it	Never Rarely Sometimes Frequently Almost always	0 1 2 3 4	
K003	I do things to get pleasure here and now, although that may cause me losing some future goals.	Never Rarely Sometimes Frequently Almost always	0 1 2 3 4	
K004	I decide, thinking about the benefits I will obtain immediately more than thinking on a long term.	Never Rarely Sometimes Frequently Almost always	0 1 2 3 4	
Physical Activity				
K005	if I have the option, I rather doing something physic instead of something mental.	Never Rarely Sometimes Frequently Almost always	0 1 2 3 4	
K006	I feel better when I am moving than when I am sitting and thinking.	Never Rarely Sometimes Frequently	0 1 2 3	

INSP/CEC – Get tested

Survey for Sub-exhibit “Self-control” MAN

		Almost always	4	
K007	I like going out and doing things more than reading and thinking.	Never Rarely Sometimes Frequently Almost always	0 1 2 3 4	
K008	Comparing myself with other people of my age, I have more physical activities needs.	Never Rarely Sometimes Frequently Almost always	0 1 2 3 4	
Searching risk				
K009	I proof myself by doing things that are slight risky	Never Rarely Sometimes Frequently Almost always	0 1 2 3 4	
K010	I take risks just for fun.	Never Rarely Sometimes Frequently Almost always	0 1 2 3 4	
K011	I think it is exciting to do things that I may get in troubles for.	Never Rarely Sometimes Frequently Almost always	0 1 2 3 4	
K012	I think that excitement and adventure are more important than tranquility.	Never Rarely Sometimes Frequently Almost always	0 1 2 3 4	
Egocentrism				
K013	I first take care of my interests, although this may give a hard time to other people.	Never Rarely Sometimes Frequently Almost always	0 1 2 3 4	
K014	I do not worry too much for other people when they are in troubles.	Never Rarely Sometimes Frequently Almost always	0 1 2 3 4	
K015	I do not worry if I do things that may bother other people.	Never Rarely Sometimes Frequently Almost always	0 1 2 3 4	

INSP/CEC – Get tested

Survey for Sub-exhibit “Self-control” MAN

K016	I try to get the things that I want, even if I know that this may cause problems to other people.	Never Rarely Sometimes Frequently Almost always	0 1 2 3 4	
Simple Tasks				
K017	I try to avoid projects that I know will be difficult to do.	Never Rarely Sometimes Frequently Almost always	0 1 2 3 4	
K018	When things get complicated, I leave them or I leave.	Never Rarely Sometimes Frequently Almost always	0 1 2 3 4	
K019	In life, I do things that are easy to do and give me more pleasure.	Never Rarely Sometimes Frequently	0 1 2 3 4	
K020	I avoid difficult tasks or tasks demanding a harder effort	Never Rarely Sometimes Frequently Almost always	0 1 2 3 4	
Temperament				
K021	I lose one’s temper easily.	Never Rarely Sometimes Frequently Almost always	0 1 2 3 4	
K022	When I am angry with people, I have more desires to hurt them than talking to them about the reason I am angry.	Never Rarely Sometimes Frequently Almost always	0 1 2 3 4	
K023	When I am very angry, they better stay away from me.	Never Rarely Sometimes Frequently Almost always	0 1 2 3 4	
K024	When I have a serious disagreement with someone, generally It is very hard for me to speak it in calm and without getting upset.	Never Rarely Sometimes Frequently Almost always	0 1 2 3 4	

Instituto Nacional de Salud Pública (logo)		Centro de Investigación en Evaluación y Encuestas	
Get Tested: Your health is the challenge			
Code: Do not include text or audio in application			
Every box indicates a screen unit Text outside of boxes must not be programmed in audio or creen.			
No. Of questions by section	Sections and questions. Instructions of the survey Explanations about the questions.	Answer options	Code
			Indications for the programmer
L Beck's depression Balance			
Here below you will find a group of statements. After reading every group, select the statement of that group that best describes how you have felt during the last week, including today.			
L001	Select one option.	I do not feel sad. I feel sad. I always feel sad and cannot get rid of it. I feel so sad and unhappy that I cannot stand it.	1 2 3 4
L002	Select one option.	I do not feel especially discouraged towards the future. I feel discouraged towards the future. I feel there is nothing that gives me a hope.	1 2 3 4
L003	Select one option.	I don't feel unsuccessful. I feel more unsuccessful than the others. Looking back in my life, I see a lot of failures. I feel that as a person, I am a complete failure.	1 2 3 4
L004	Select one option.	Things are still satisfying me the same like before. Things do not make me enjoy like before. I do not find true satisfaction with anything anymore	1 2 3 4
L005	Select one option. guilty.	I do not feel particularly I feel guilty in most of the occasions. I feel guilty most of the time.	1 2 3 4
L006	Select one option.	I do not feel that I'm being punished. I feel that I can be punished. I expect to be punished	1 2 3 4
L007	Select one option.	I am not disappointed to myself. I am disappointed to myself. I am sick with myself. I hate myself.	1 2 3 4
L008	Select one option. person.	I don't feel that I am worse than any other I criticized myself about my weakness and my mistakes.	1 2 3 4

L009	Select one option. it.	I do not think about committing suicide. I think about committing suicide, but I would not do it. I would like to commit suicide	1 2 3 4	
L010	Select one option.	I do not cry more than usual. I cry more than I used to cry. Now, I am always crying. I used to cry before, but now I cannot cry even if I want to.	1 2 3 4	
L011	Select one option.	Things do not annoy me more than they used to annoy me before. I am more annoyed than usual. I am annoyed most of the time. I am always annoyed.	1 2 3 4	
L012	Select one option.	I have not lost interest for other people. I am less interested in other people than I used to be. I have lost most of my interest for other people. I have lost all of my interest for other people.	1 2 3 4	
L013	Select one option.	I do not have any problems making decisions. I postpone making decisions more than I used to. It is getting more difficult to make decisions than before	1 2 3 4	
L014	Select one option. attractive.	I do not think I look worse than before. Getting old or less attractive worries me I feel there are permanent changes in my look that make me less attractive.	1 2 3 4	
L015	Select one option.	I can do my duties like before I need to put an extra effort to do something I have to try really hard if I want to do something I cannot do any work	1 2 3 4	
L016	Select one option.	I can sleep as well as before I cannot sleep as well as before I wake up one or two hours earlier than usual and it is very hard to go back to sleep I wake up several hours earlier than usual and I cannot go back to sleep anymore	1 2 3 4	
L017	Select one option.	I do not get tired more than usual I get tired easier than usual I get tired doing anything, even if it is something little I am so tired to do something	1 2 3 4	
L018	Select one option.	I am still having the same appetite My appetite has decreased I barely have appetite I have no appetite anymore	1 2 3 4	

INSP/CEC – Get tested

Survey for Sub-exhibit "Depression" MAN

L019	Select one option.	I have not lost any weight I have lost more than 4 pounds of weight	1 2 3 4	
L020	Select one option.	I am not more worried than usual about my health I am worried about my physical problems such as pains, stomach aches or constipation I am very worried about my physical problems that I find it very difficult to think of anything else	1 2 3 4	
L021	Select one option.	Recently I have not noticed any changes on my interest in sex I am less interested in sex than usual I am almost not interested in sex I have completely lost my interest in sex	1 2 3 4	

Instituto Nacional de Salud Pública (logo)

Get Tested: Your health is the challenge

Centro de Investigación en Evaluación y Encuestas

Code: Do not include text or audio in application
 Every box indicates a screen unit
 Text outside of boxes must not be programmed.
 In audio or screen

No. Of questions by section **Sections and questions. Instructions of the survey** **Answer options** **Code** **Indications for the programmer**

Explanations about the questions.

R Raven Test 12

Following here, you will find a series of figures with a missing part.
 Select which of the answers completes the figure.

R001

The puzzle consists of a 4x4 grid. The top-left 3x3 area contains a pattern of solid and dotted lines. The bottom-right cell is missing. Below the grid are eight options labeled 1 through 8, each showing a different combination of solid and dotted lines in a pentagonal shape.

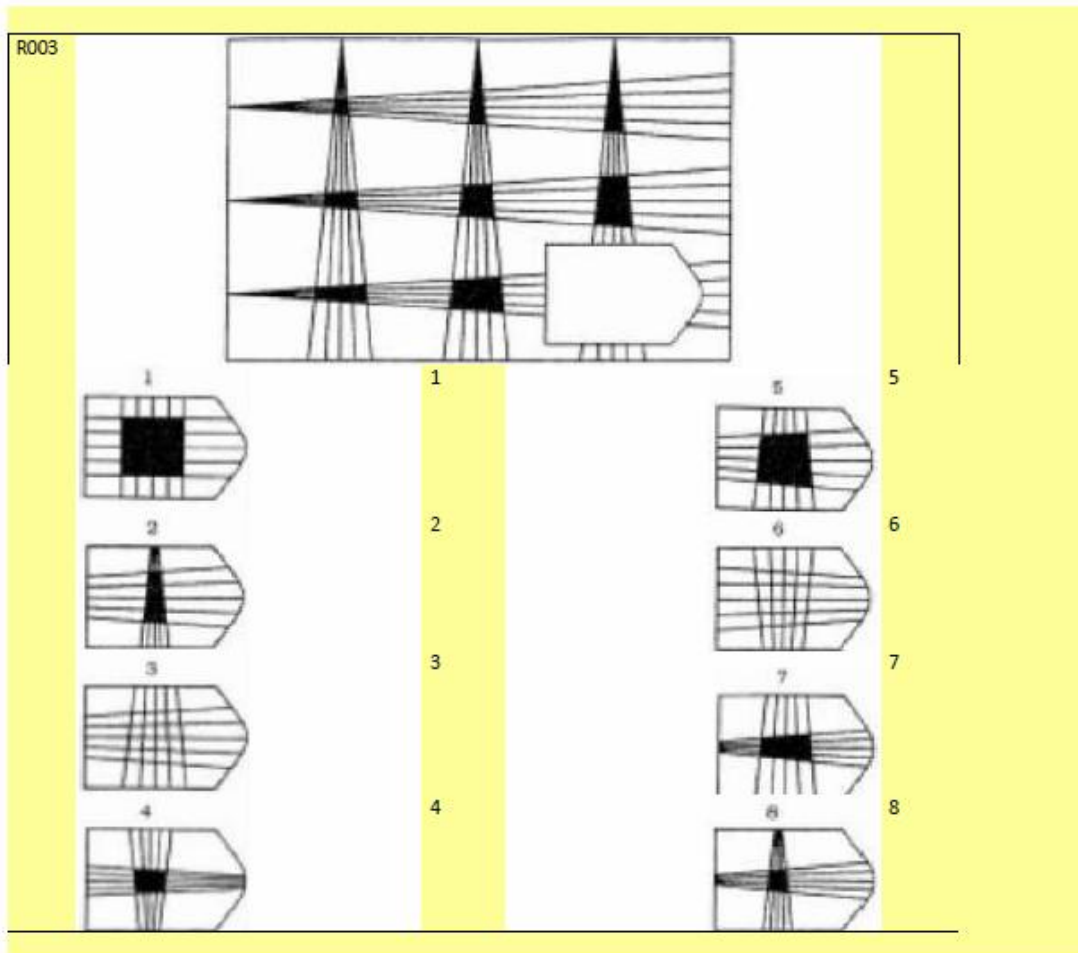
Options:

- 1: One solid vertical line, one solid horizontal line.
- 2: One solid vertical line.
- 3: Three solid vertical lines, one solid horizontal line.
- 4: Three solid vertical lines, one dotted horizontal line.
- 5: Three dotted horizontal lines.
- 6: One solid vertical line, one dotted horizontal line.
- 7: A 4x4 grid of solid lines.
- 8: One solid vertical line, one dotted horizontal line.

R002

1 2 3 4

5 6 7 8



R004

The puzzle consists of a 3x3 grid of patterns. The patterns are as follows:

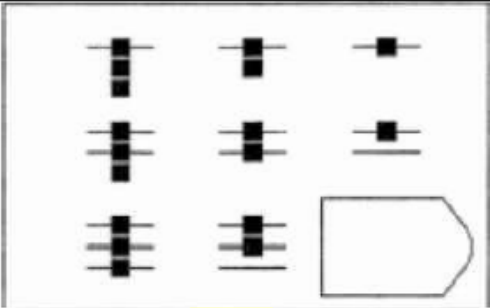


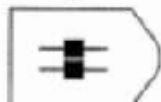
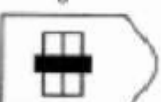

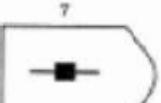
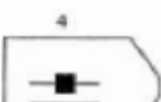

Option 1: A square with a cross inside, on a grid.	Option 2: A 3x3 grid of lines.	Option 3: A square with a cross inside, on a grid.	Option 4: A square with an 'X' inside, on a grid.
Option 5: A horizontal bar with a cross inside, on a grid.	Option 6: A horizontal bar with a cross inside, on a grid.	Option 7: A 3x3 grid of lines.	Option 8: A square with a cross inside, on a grid.

The missing piece in the bottom-right cell of the grid is a square with a cross inside, on a grid.

R005

1 	1	5
2 	2	6
3 	3	7
4 	4	8






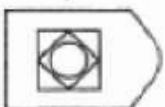
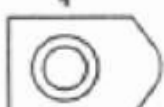

R006

		
1 	1	5 
2 	2	6 
3 	3	7 
4 	4	8 

R007

1 	1	5 	5
2 	2	6 	6
3 	3	7 	7
4 	4	8 	8

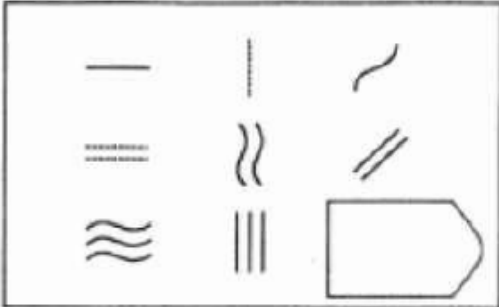








R008

	1		5
	2		6
	3		7
	4		8

The central box contains the following shapes:

- Top row: Concentric circles, a diamond with a smaller diamond inside, a square.
- Middle row: A diamond, a square with a smaller square inside, a circle with a smaller circle inside.
- Bottom row: A square with a smaller square inside, a circle, a pentagonal shape with a pointed right side.

R009

		
1 	1	5 
2 	2	6 
3 	3	7 
4 	4	8 

R010

1 2 3 4

1 2 3 4

5 6 7 8

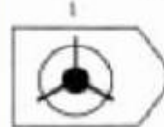
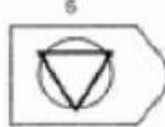

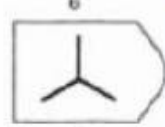

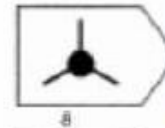


5 6 7 8

Detailed description: The puzzle consists of a 3x3 grid of shapes. The top row contains three squares with black patterns in the top-left, top-right, and top positions. The middle row contains three squares with black patterns in the middle-left, middle-right, and bottom-left positions. The bottom row contains a square with a black pattern in the bottom-left position, followed by a square with a black pattern in the bottom-left position, and finally a square with a pointed right side. Below the grid are two columns of four options each, numbered 1 through 8. The options are: 1. Square with black top-left and top-right; 2. Square with black top and bottom; 3. Square with black top and bottom-left; 4. Square with black top and bottom-right; 5. Square with black top-left, top-right, middle-left, and middle-right; 6. Square with black top-left and middle-right; 7. Square with black top-left and middle-left; 8. Square with black top-left, middle-left, and middle-right.

R011

1	1	5	5
2	2	6	6
3	3	7	7
		7	7
4	4	8	8

R012

	1		5
	2		6
	3		7
	4		8

The puzzle matrix contains the following elements:

- Row 1: A complex geometric shape with a circle inside, a triangle inside the circle, and a central dot; a circle with a central dot; a Y-shaped figure with a central dot.
- Row 2: An inverted triangle with a central dot; a central dot; an inverted triangle.
- Row 3: A Y-shaped figure with a central dot; a circle; an empty complex geometric shape with a circle inside, a triangle inside the circle, and a central dot.

Instituto Nacional de Salud Pública (logo)					
Get Tested: Your health is the challenge MEN					
Centro de Investigación en Evaluación y Encuestas					
Code: Do not include text or audio in application					
Every box indicates an screen unit					
Text outside of boxes must not be programmed					
<i>In audio or screen.</i>					
No. of questions by section	Sections and questions. Instructions of the survey	Answer options	Code	Indications for the programmer	Rank
	Explanations about the questions.				
W	History of stays in Different facilities or prisons				
W001	How many times have you been in prison in the last 5 years?	NUMERIC KEYPAD Prefer not to answer	1 99		
We are going to ask you some questions about your current stay at the prison CERESOVA.					
W002	When did you enter at the prison CERESOVA?	Days Months Years Prefer not to answer	99	Rank: 1-31 Rank: 1-12 Rank: 1980-2011	
W002a	When you entered the CERESOVA, how much time did you spend at COC?	Day Month Year		Rank: 0-29 Rank: 0-11 Rank: 0-20	
W003	If you were detained at another penitentiary (for example on remand) before you were sent here at the CERESOVA, how long were you detained in that penitentiary?	Days Months Years I am at this facility since I was arrested Prefer not to answer	88 99	Rank: 0-29 Rank: 0-11 Rank: 0-20	
W004	Could you please tell us your current location here in the prison?	Dormitory Wing Level or Zone Facility Prefer not to answer		Options: A, B, C, D, E, COC, Admission A, B, C, D, Esp (There are no Wings at COC neither at Admission Rank: 0, 1, 2, 3 Rank: 1-12	
W005	Which of the following statements are the most important reasons that you were accommodated in the last facility?	The others were packed Because I arrived in that order and there is a first come, first served policy Randomly, pure luck, that is the rule Because my inmates committed similar crimes Because I get along well with the authorities Because I get along well with people in this facility Because I gave some money to stay	1 2 3 4 5 6 7		

INSP/CEC – Get Tested

Survey for Sub-exhibit "HISTORY"

		here or my lawyers worked my papers Because of my level of studies when I first got here	8	
		Because I have studied or worked here and I was changed to a better area	9	
		Because I am in solitary confinement	10	
		Because I am in an addiction treatment	12	
		I do not know	88	
		Prefer not to answer	99	
W006	Without counting the COC or Admission, have you been in the same facility since you got to the CERESOVA?	Yes No Prefer not to answer	1 2 9	Skip W006_a-W011
W006_a	When did you arrive at this facility?	Days Months Years Prefer not to answer		Rank: 0-29 Rank: 0-11 Rank: 0-20
W007	Without counting the COC or Admission, in how many facilities have you been since you entered the CERESOVA?	NUMERIC KEYPAD Prefer not to answer	99	Rank: 2-20
NOT_W_1	Now we are going to ask you about your stays at previous facilities that you have been, without counting COC or Admission. The second to the last facility			W008-W011 only if W006=No
W008	Could you please tell us your location of the second to the last stay in the prison? Without counting COC or Admission.	Dormitory Wing Level or Zone Facility Prefer not to answer		Options: A, B, C, D, E, COC, Admission A, B, C, D, Esp (There are no Wings at COC neither at Admission Rank: 0, 1, 2, 3 Rank: 1-12
W009	How long did you stay at that second to the last facility..... (Place the answer of the previous question)?	Days Months Years NUMERIC KEYPAD Prefer not to answer	99	Rank: 0-29 Rank: 0-11 Rank: 0-20
W010	Which of the following statements are the most important reasons that you were accommodated at the second to the last facility..... (Place the answer of question W008)?	The others were packed Because I arrived in that order and there is first come first served policy Randomly, pure luck, that is the rule Because my inmates committed similar crimes Because I get along well with the authorities Because I get along well with people in this facility Because I gave some money to stay here or my lawyers worked my papers Because of my level of studies when I first got here	1 2 3 4 5 6 7 8	Pass to X001 if W007=2

INSP/CEC – Get Tested

Survey for Sub-exhibit "HISTORY"

		Because I have studied or worked here and I was change to a better area Because I am in a punishment cell Because I am on an addiction treatment I do not know Prefer not to answer	9 10 12 88 99	
NOT_W_2	The third from last facility, without counting COC			W012-W014 only if W007>2 and different from 99
W011	Could you please tell us your location of your third from last stay in the prison? Without counting COC or Admission.	Dormitory Wing Level or Zone Facility Prefer not to answer		Options: A, B, C, D, E, COC, Admission A, B, C, D, Esp (There are no Wings at COC neither at Admission Rank: 0, 1, 2, 3 Rank: 1-12
W012	Which of the following statements are the most important reasons that you were accommodated at the third from last facility..... (Place the answer of previous question)?	The others were packed Because I arrived in that order and there is a first come first served policy Randomly, pure luck, that is the rule Because my inmates committed similar crimes Because I get along well with the authorities Because I get along well with people in this facility Because I gave some money to stay here or my lawyers worked my papers Because of my level of studies when I first got here Because I have studied or worked here and I was change to a better area Because I am in a punishment cell Because I am on an addiction treatment I do not know Prefer not to answer	1 2 3 4 5 6 7 8 9 10 12 88 99	
W013	How long did you last at that third from last facility..... (Place the answer of the question W011)?	Days Months Years NUMERIC KEYPAD Prefer not to answer		Rank: 0-29 Rank:0-11 Rank: 2011-W002(year)
B. Inter-temporary Preferences Section				
X001	Imagine that you have to choose between the following two options, which one would you choose? Option A: That you get \$400 pesos right now. Option B: That you get \$800 pesos in two weeks.	Option A Option B I do not care I do not know Prefer not to answer	1 2 3 4 9	Go to X002 Go to X003 Go to X004 Go to X002 Go to X004
X002	Imagine that you have to choose between the following two options, which one would you choose?	Option A Option B	1 2	All Go to X004

INSP/CEC – Get Tested

Survey for Sub-exhibit "HISTORY"

	Option A: That you get \$400 pesos right now. Option B: That you get \$1400 pesos in two weeks.	I do not care I do not know Prefer not to answer	3 4 9	Go to X004
--	--	--	-------------	------------

X003	Imagine that you have to choose between the following two options, which one would you choose? Option A: That you get \$400 pesos right now. Option B: That you get \$600 pesos in two weeks.	Option A Option B I do not care I do not know Prefer not to answer	1 2 3 4 9	All Go to X002 Go to X004
------	---	--	-----------------------	--

X004	Imagine that you have to choose between the following two options, which one would you choose? Option A: That you get \$400 pesos right now. Option B: That you get \$800 pesos in two weeks.	Option A Option B I do not care I do not know Prefer not to answer	1 2 3 4 9	
------	---	--	-----------------------	--

C. Risk Preferences Section

Y005	Now imagine that you could flip a coin between two options. Which game would you play? Scenario 1: If you win you get \$2500 pesos If you loss you get \$2000 pesos Scenario 2: If you win you get \$5000 pesos If you loss you get \$1000 pesos	Scenario 1 Scenario 2 I do not care I do not know Prefer not to answer	1 2 3 4 9	Go to Y006 Go to Y007 Go to Y008 Go to Y006 Go to Y008
------	--	--	-----------------------	--

Y006	Now imagine that you can flip a coin between two options. Which game would you play? Scenario 1: If you win you get \$2500 pesos If you loss you get \$2000 pesos Scenario 2: If you win you get \$10000 pesos If you loss you get \$1000 pesos	Scenario 1 Scenario 2 I do not care I do not know Prefer not to answer	1 2 3 4 9	All Go to Y008 Go to Y008
------	---	--	-----------------------	--

Y007	Now imagine that you can flip a coin between two options. Which game would you play? Scenario 1: If you win you get \$3000 pesos If you loss you get \$2500 pesos Scenario 2: If you win you get \$5000 pesos If you loss you get \$1000 pesos	Scenario 1 Scenario 2 I do not care I do not know Prefer not to answer	1 2 3 4 9	All Go to Y008 Go to Y008
------	--	--	-----------------------	--

Y008	Now imagine that you can flip a coin between two options. Which game would you play? Option A: Not to play the game Option B: Flip a coin where if you win you get \$2000 pesos and if you loss you have to give \$1000 pesos	Scenario 1 Scenario 2 I do not care I do not know Prefer not to answer	1 2 3 4 9	
------	---	--	-----------------------	--

D. Dictators Game

Z001	1. Assume that you get money as a gift and you have the power to choose from two options that involve giving away a part of it to an inmate	\$500 pesos for you and \$500 for your inmate \$600 pesos for you and \$100 for your inmate Prefer not to answer	1 2 9	
------	---	--	-------------	--

Z002	1. Assume that you get money as a gift and you have the power to choose from two options that involve giving away a part of it to an inmate from the CERESOVA but from another facility	\$500 pesos for you and \$500 for your inmate \$600 pesos for you and \$100 for your inmate	1 2	
------	---	--	--------	--

INSP/CEC – Get Tested

Survey for Sub-exhibit "HISTORY"

		Prefer not to answer	9	
--	--	----------------------	---	--

ZZ. Well-being

ZZ001	Imagine a staircase with stairs with numbers from 1 to 10. The highest stair represents the best possible life (happier) for you and the lowest level represents the worst possible life (less happy), at which stair would you say that you are right now?	NUMERIC KEYPAD Prefer not to answer	99	Rank: 0-10 Please add the picture used on previous surveys on ZZ001, ZZ002 and ZZ003 (Opportunities?)
-------	---	--	----	---

ZZ002	At which stair would you say you will be in about 5 years?	NUMERIC KEYPAD Prefer not to answer	99	Rank: 0-10
-------	--	--	----	------------

ZZ002a	In 5 years, do you expect to be incarcerated or to be free?	Interned at a prison Free on the streets Prefer not to answer	1 2 9	
--------	---	---	-------------	--

ZZ003	Did you feel sad or depressed most of the day yesterday?	Yes No Prefer not to answer	1 2 9	
-------	--	-----------------------------------	-------------	--

P. Preferences, Opinions and Expectations

	The following screens will show different opinions. Please indicate up until what point do you agree with everyone of them			
--	--	--	--	--

Preferences

P001	Women cannot be trusted	Strongly agree Agree Disagree Strongly disagree Prefer not to answer	1 2 3 4 9	
------	-------------------------	--	-----------------------	--

P002	If I work hard, I will get a better life	Strongly agree Agree Disagree Strongly disagree Prefer not to answer	1 2 3 4 9	
------	--	--	-----------------------	--

P003	God exists	Strongly agree Agree Disagree Strongly disagree Prefer not to answer	1 2 3 4 9	
------	------------	--	-----------------------	--

P004	Drugs are not as bad as people think	Strongly agree Agree Disagree Strongly disagree Prefer not to answer	1 2 3 4 9	
------	--------------------------------------	--	-----------------------	--

P005	PRI (Republican) presidents were better than PAN (Democratic) presidents	Strongly agree Agree Disagree Strongly disagree	1 2 3 4	
------	--	--	------------------	--

INSP/CEC – Get Tested

Survey for Sub-exhibit "HISTORY"

		Prefer not to answer	9	
P006	Money makes you happy	Strongly agree Agree Disagree Strongly disagree Prefer not to answer	1 2 3 4 9	
P007	Other people do not influence my way of thinking	Strongly agree Agree Disagree Strongly disagree Prefer not to answer	1 2 3 4 9	
P008	Corruption is everywhere	Strongly agree Agree Disagree Strongly disagree Prefer not to answer	1 2 3 4 9	
P009	You cannot trust people you do not know	Strongly agree Agree Disagree Strongly disagree Prefer not to answer	1 2 3 4 9	
P010	I do not follow what others think	Strongly agree Agree Disagree Strongly disagree Prefer not to answer	1 2 3 4 9	

Expectations

On a probability scale from 0 to 100, where 0 is "Not probable", and 100 is "Highly probable" what is the probability of the following events?			Rank: 0-100
EX001	What is the probability that you find a job in the first three months after leaving the prison?	_____ % Probable Prefer not to answer	999 Rank: 0-100
EX002	What is the probability that you will get arrested again in the first three months after leaving the prison?	_____ % Probable Prefer not to answer	999 Rank: 0-100
EX003	What is the probability that you will consume drugs in the first three months after leaving the prison?	_____ % Probable Prefer not to answer	999 Rank: 0-100
EX004	What is the probability that you will have sex in the first three months after leaving the prison?	_____ % Probable	999 Rank: 0-100

INSP/CEC – Get Tested

Survey for Sub-exhibit "HISTORY"

		Prefer not to answer	999	
EX005	What is the probability that party PRD wins the presidential election in 2012?	_____% Probable Prefer not to answer	999	Rank: 0-100